

Website: www.nanovastore.com
Email: service@nanovastore.com

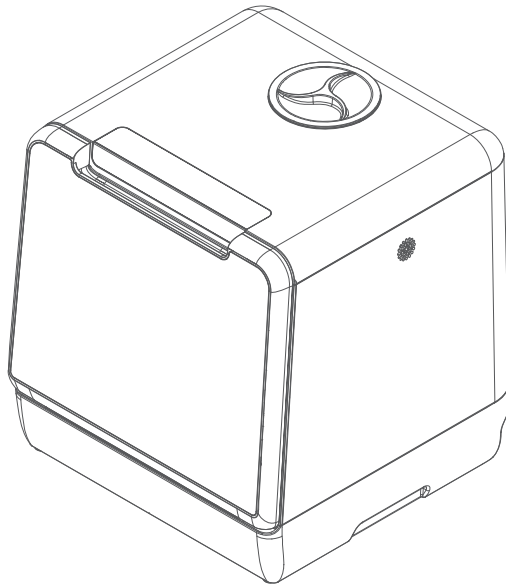
MADE IN CHINA



nanova

Compact Countertop Dishwasher

Model: D1



User Manual

CONTENTS

ENGLISH	1 - 19
DEUTSCH	20 - 41
FRANÇAIS	42 - 63

ENGLISH

**Before using this compact dishwasher, please read this user manual carefully.
This manual is for the NANOVA Compact Countertop Dishwasher (Model: D1).**

WARNING: To reduce risk of injury, the user should read and understand this user manual before using this dishwasher.

Save this user manual for future reference.

IMPORTANT SAFETY INFORMATION

WARNING!

When using your dishwasher, follow the precautions listed below:

- This appliance is intended to be used in indoor environments such as:
 - staff kitchen areas in shops, offices, and other working environments;
 - by clients in hotels, motels, and other residential environments;
 - farm houses;
 - bed and breakfast environments.
 - RVs, boats, campers, and other areas where electrical appliances are allowed.
- This appliance can be used by children aged 8 years old and older, persons with reduced physical, sensory, or mental capabilities, and by those lacking experience and knowledge if they have been given supervision and instructions concerning the use of the appliance in a safe way and understand the hazards involved. Children shall not play with the appliance. Cleaning and user maintenance shall not be done by children without supervision (for EN 60335-1).
- Packaging material could be dangerous for children.
- To protect against the risk of electric shock, do not immerse the unit, cord, or plug in water or other liquids.
- Please unplug before cleaning and performing maintenance on the appliance.
- To clean, use a soft cloth moistened with mild soap, then use a dry cloth to wipe it again.
- Do not misuse, sit on, or stand on the door or dish rack of the dishwasher.
- Do not operate your dishwasher unless all enclosure panels are properly in place.
- It is dangerous to open the door while the dishwasher is running, because there is a risk of hot water spraying out.
- Do not place any heavy objects on the door or stand on it when it is open. The appliance could tip forward.
- When loading items to be washed you must:
 - 1) Place sharp items so that they are not likely to damage the door seal.
 - 2) Load knives and other utensils with sharp points in the basket with their points facing down or placed in a horizontal position.
- Check that the detergent powder is empty after completion of the wash cycle.
- Do not wash plastic items unless they are marked "dishwasher safe" or the equivalent.
- For unmarked plastic items, check the manufacture's recommendations.
- Use only detergents and rinse agents recommended for use in an automatic dishwasher.
- Never use soap, laundry detergent, or hand washing detergent in your dishwasher.
- The door should not be left open, because this could increase the risk of tripping.
- If the supply cord is damaged, it must be replaced by the manufacturer or its service agent or a similarly qualified person in order to avoid a hazard.
- During installation, the power supply must not be excessively or dangerously bent or flattened.
- Do not tamper with controls.
- The appliance needs to be connected to the main water valve using new hose sets. Old sets should not be reused.
- This appliance has maximum 2 place settings.
- The maximum permissible inlet water pressure is 1 MPa.
- The minimum permissible inlet water pressure is 0.04 MPa.

GROUNDING INSTRUCTIONS

- This appliance must be grounded. In the event of a malfunction or failure, grounding will reduce the risk of electric shock by providing a path of least resistance for the electric current. This appliance is equipped with a ground conductor plug. DO NOT, under any circumstances, cut or remove the grounding plug from the power cord.
- The plug must be plugged into an appropriate outlet that is installed and grounded in accordance with all local codes and ordinances.
- Improper connection of the equipment-grounding conductor can result in the risk of electric shock.
- Check with a qualified electrician or service representative if you are in doubt whether the appliance is properly grounded.
- Do not modify the plug provided with the appliance if it does not fit the outlet.
- Have a proper outlet installed by a qualified electrician.

DISPOSAL

- This appliance's packaging materials are recyclable. Dispose of the packaging into a suitable waste collection container to recycle it.
- It is prohibited to dispose of the appliance as household waste. Correct disposal of this product: the symbol on the product or its packing indicates that this product may not be treated as household waste. Instead, it should be taken to the appropriate waste collection point for the recycling of electrical and electronic equipment. By ensuring this product is disposed of correctly, you will help prevent potential negative consequences for the environment and human health, which could otherwise be caused by the inappropriate waste handling of this product.
- For more detailed information about the recycling of this product, please contact your local council, your household waste disposal service, or the shop where you purchased the product.



WARNING

- For disposing of package and the appliance, please go to a recycling center. Beforehand, cut off the power supply cable and make the door closing device unusable.
- Cardboard packaging is manufactured from recycled paper and should be disposed of in the waste paper collection for recycling.
- By ensuring this product is disposed of correctly, you will help prevent potential negative consequences for the environment and human health, which could otherwise be caused by inappropriate waste handling of this product.
- For more detailed information about recycling of this product, please contact your local city office or your household waste disposal service.
- Do not dispose of this product as unsorted municipal waste. Collection of such waste separately for special treatment is necessary.

ELECTRICAL REQUIREMENTS

Look at the rating label for the voltage rating and connect the dishwasher to the appropriate power supply. If the supply cord is damaged, it must be replaced by the manufacturer, service agent, or a similarly qualified person in order to avoid any hazards.

ELECTRICAL CONNECTION

Ensure that the voltage and frequency of the dishwasher correspond to those on the rating plate. Only insert the plug into an electrical socket that is grounded properly. If your electrical sockets are not appropriate for the plug, replace the sockets rather than using an adapter.

OPERATING SAFETY PRECAUTIONS

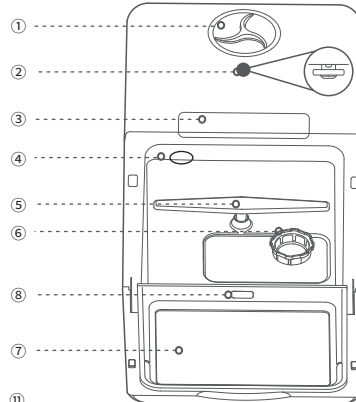
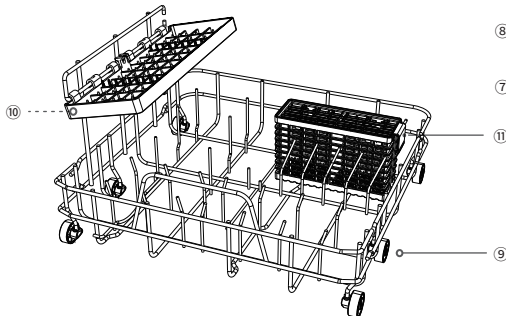
- **DO NOT** operate this appliance if parts are missing or broken.
- **DO NOT** operate this appliance unless all parts are installed properly.
- **DO NOT** place any heavy objects on top of the dishwasher.
- Use only detergent made for automatic dishwashers. Dishwasher detergent is corrosive. Keep dishwasher detergent out of reach of children.
- It is dangerous to open the door while the dishwasher is running, as hot water may scald you.
- Allow time for the dishwasher to cool before assembling or disassembling any parts, and before cleaning.
- **DO NOT** operate this appliance with a damaged cord or plug, or if the appliance malfunctions or is damaged in any manner.
- It is not recommended to use accessory attachments other than those provided by the manufacturer. The use of attachments may cause injuries.
- **DO NOT** use an extension cord or an adapter plug with this appliance.
- **DO NOT** use the appliance for anything other than its intended purpose.
- **DO NOT** place on or near a gas or electric burner.
- **DO NOT** allow the cord to hang over the edge of a table or counter, or to touch hot surfaces.
- To disconnect, turn any control to "OFF", then remove the plug from the wall outlet.

GETTING TO KNOW YOUR DISHWASHER

IMPORTANT: To get the best performance from your dishwasher, read all operating instructions for the dishwasher prior to first use.

Dishwasher Features

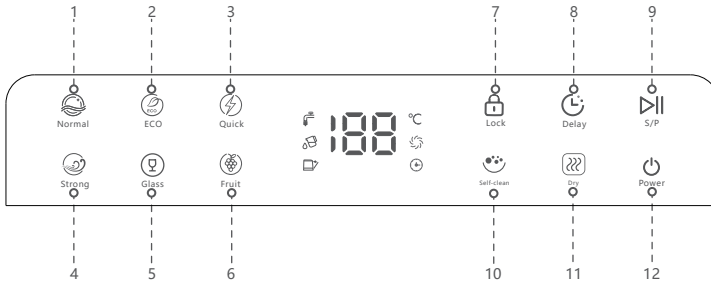
- | | |
|--------------------|-----------------------|
| ① Water tank | ② Upper spray arm |
| ③ Control panel | ④ LED lamp |
| ⑤ Lower spray arm | ⑥ Filter system |
| ⑦ Glass door | ⑧ Detergent dispenser |
| ⑨ Tableware basket | ⑩ Storage rack |
| ⑪ Cutlery basket | |



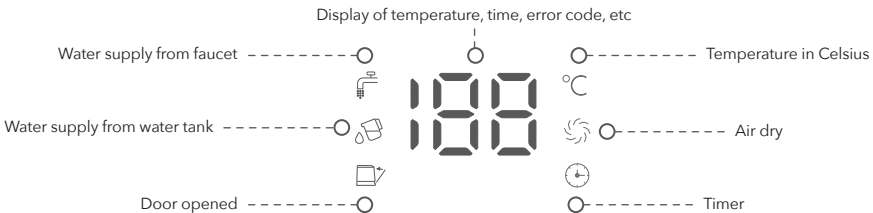
Built-in LED Lamp

The LED lamp allows you to clearly check the working status of the dishwasher. When the glass door is opened, the lamp will automatically turn on and when the glass door is closed, it will automatically turn off within 2 minutes. If the door is kept open for more than 5 minutes, it will automatically turn off. In the last 10 minutes of the drying process, the LED lamp will turn on, indicating that the drying is almost complete.

Control Panel



No.	Icon	Button/Indicator	Function
1		Normal	For normal soiled loads such as dishes, glasses, and other tableware.
2		ECO	Suitable for washing slightly dirty dishes.
3		Quick	A shorter wash for lightly soiled loads.
4		Strong	Suitable for washing baby bottles, oily and grimy tableware, or pet products.
5		Glass	Suitable for glassware and fragile items.
6		Fruit	Suitable for washing hard surface fruits with room temperature water. No detergent is needed.
7		Child Lock	Press and hold this button for 3 seconds to activate the child lock.
8		Delay	Press this button to schedule a wash cycle to start later.
9		Start/Pause	Press this button to start or pause a wash cycle.
10		Self-Clean	Suitable for regular self-cleaning to maintain dishwashing performance.
11		Dry	60 minutes of hot air drying and 72 hours of automatic intermittent Dry ventilation to remove odors and facilitate storage. "St" will display during ventilated storage. (Press and hold the Power button for 3 seconds to cancel ventilation.)
12		Power	Press and hold this button for 3 seconds to turn on/off the machine.



INSTALLATION

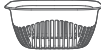
Parts List



Inlet Hose × 1
(61 in/154 cm)



Drain Hose × 1
(61 in/154 cm)



Fruit Basket × 1



Pitcher × 1

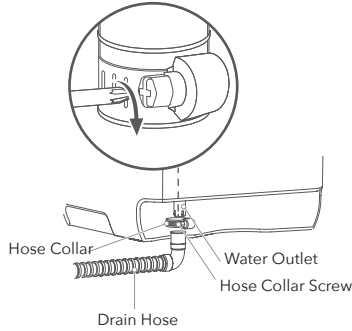


Hose Collar × 1



Cutlery Basket × 1

Connecting the Drain Hose to the Machine

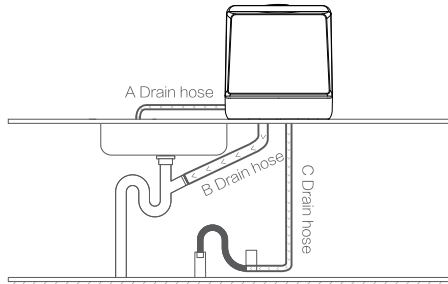


WARNING: The dishwasher drain hose is an essential part of the machine, so it must be installed correctly to drain water and perform its job effectively.



1. Connect the drain hose to the water outlet located on the back of the machine.
2. Tighten the hose collar screw with a screwdriver.

Connecting the Drain Hose to a Sewer

1. There are three options for sewer connection, A (sink), B (sink drainpipe), and C (drainage pipe). For options B and C, it is required to drill a hole on or under the counter so that the pipe can go through the counter.
2. The drain hose must be properly fitted to its containment source (such as a sink, bucket, etc.) to avoid water leaks. Ensure that the drain hose is not kinked or impeded in any way.



Adding Water to Dishwasher


NOTE: This machine supports two water supply options: from a faucet  and from the built-in water tank .

Supplying Water from a Faucet

1. Remove the silica gel plug from the water inlet on the back of the machine. Then, attach one end of the water inlet hose onto water inlet of the machine.



2. Connect the other end of the water inlet hose to your faucet and make sure it is fastened tightly in place.

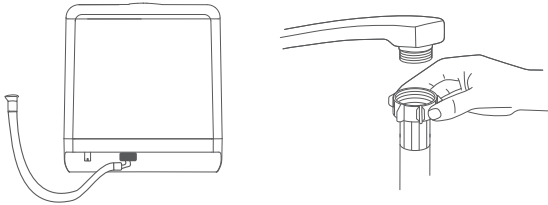
Note: If the included water inlet hose does not fit your faucet, you may need to buy a faucet adapter from a plumbing supply manufacturer. If you are unsure of what to do, please feel free to contact our after-sales service team.

3. Turn on the dishwasher and press the Mode button to choose a wash cycle. Then, press the Start/Pause button to start the wash cycle. The panel will display a white indicator , meaning the faucet is properly connected and turned on.

NOTES:

1. While supplying water from a faucet, **DO NOT** disconnect the faucet. Otherwise, the wash cycle cannot be completed.

2. A red flashing water shortage indicator   means that this machine is not connected to a faucet, the faucet is not turned on, and/or the water tank is not full.






Supplying Water from the Water Tank

Reminder: If the machine is being used for the first time or has not been used in a long time, insufficient water flow may occur when the water tank is filled due to trapped air in the machine's water pipe system, which prevents the water from flowing into the machine interior. In this case, you can slightly shake the machine 5-6 times to exhaust all trapped air. This will ensure a smooth water flow.



1. Open the water tank lid and fill with about 1.3 gallons (5 L) of water, or approximately 3 pitchers. When the tank is full, 3 beeps will be heard. There is no need to add more water during the washing process.

NOTE: To prevent loss of the tank lid, attach it to the water tank.

2. If the water tank is not full when you start a wash cycle, a red flashing water shortage indicator   will display on the panel and the buzzer will beep. When the water tank is full, a white water tank mode indicator  will appear.

3. Before any wash cycle starts, if the machine detects that the water tank is full, it will automatically use the water supply from the tank.

4. To drain the water tank by hand, pause the wash cycle and press and hold both the Dry button and Power button simultaneously for 3 seconds. If the water tank will not be used for a long time, it is recommended to empty the water tank.

5. The system will automatically check all water supplies. If the red water shortage indicator   appears, you will need to fill the water tank or turn on the faucet. Once the water tank is filled, the machine will automatically start the wash cycle you selected with no need to press the Start/Pause button again. When a faucet is used for water supplying, it is required to press the Start/Pause button again to start the wash cycle after you open the faucet.

NOTE: In the case of a water shortage, if you press the Start/Pause button 5 times and there is still no adequate water supply, the machine will automatically enter standby mode. Or, if there is no user operation or water supply for 10 minutes, the machine will automatically enter standby mode.

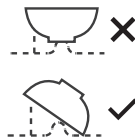
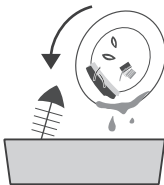
TECHNICAL SPECIFICATIONS

Model	D1
Voltage/Frequency	110-120 V/60 Hz (US) 220-240 V/50 Hz (EU)
Capacity	2 place settings
Power	950 W
Inlet Pressure	0.04-1 MPa
Water Tank Capacity	1.3 gallons (5 L)
Dry Mode	PTC hot air
Noise Level	60 dB
Energy Rating	F
Product Weight	28.7 lb (13 kg)
Product Size	16.86 × 16.75 × 18.05 in (428 × 425 × 458 mm)

OPERATING INSTRUCTIONS

Loading the Dishwasher Basket

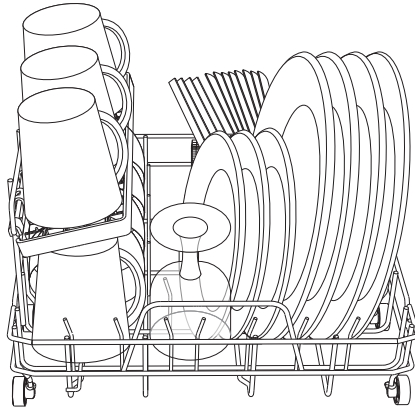
- Remove large, hard food scraps before loading tableware into the dishwasher.



Try to leave the dirty facing toward the spray arm.

- Stack cups, glasses, and bowls on an incline facing down, so that water can reach inside and they will drain. Insert plates in the slots and face them toward the spray arm to make sure water passes through for proper cleaning. Load knives, forks, and spoons with handles up and tilt them as much as possible to avoid starching or injury when taking them out of the dishwasher. You may refer to the illustration when loading the dishwasher.

Recommended Layout



For the best cleaning performance, follow these loading guidelines:

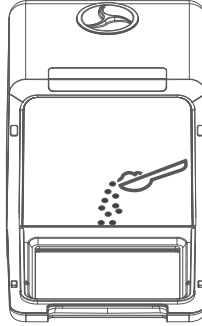
- Scrape off any large food particles.
- Soften and/or soak remnants of burnt food in pans.
- It is not necessary to rinse all dishes under running water.
- Place objects in the dishwasher in the following way:
 - Load hollow items such as cups, glasses, pans etc. with the opening facing downwards.
 - Curved items or items with recesses should be loaded at a slant so that water can run off.
 - All tableware and cutlery should be placed such that the spray arms can rotate freely during washing.
- Knives and other utensils with sharp points should be loaded in the storage rack or cutlery basket with their points down or placed in a horizontal position so that they do not damage the inside of the dishwasher.
- Very small items should not be washed in the dishwasher, as they could fall out.
- Dishes and cutlery should not lie inside, be stacked with, or lie against each other.
- To avoid damage to glasses, ensure they are not touching each other.
- Do not overload the dishwasher. Position the dishes and cookware such that they will not be moved by the water spray.

Not suitable for:

- Cutlery with wooden or mother-of-pearl handles
- Plastic items that are not heat-resistant
- Non-heat resistant bonded cutlery or china
- Pewter or copper items
- Delicate crystal
- Steel or silver items subject to rusting or discoloration
- Wooden items
- Glazed items that may fade
- Painted tableware

Detergent Use

Pods, liquid, or powder detergent are all acceptable. Add detergent to the detergent dispenser located on the bottom of the glass door (depicted in the figure below).



WARNING: Only use detergent made specifically for dishwashers. Do not use rinse aids. Dishwasher detergent is corrosive! Keep away from children.

- **DO NOT** add detergent when using the Fruit wash cycle.
- The use of Normal wash cycle in combination with low alkaline concentrated detergents with natural enzymes reduces pollution and is good for your dishes.
- The detergent must be refilled before the start of each wash cycle.
- Generally, only one tablespoon of detergent is needed for a normal wash load.
- Always add the detergent just before starting the dishwasher. Otherwise it could become damp and will not dissolve properly.

Wash Cycle Selection

Pre-Programmed Wash Cycle

The table below shows which pre-programmed wash cycle should be used for each cleaning job and how much detergent is needed.

Wash Cycle	Description	Wash Steps	Temperature	Detergent	Wash Time	Air Drying Time
Normal	To clean normal soiled loads	Hot water washing Cold water rinsing Cold water rinsing Hot water rinsing	131 °F/55 °C (Washing) 154 °F/68 °C (Rinsing)	0.28 oz (8 g)	69 minutes	60 minutes
ECO	Suitable for washing slightly dirty dishes.	Hot water washing Cold water rinsing Hot water rinsing	131 °F/55 °C (Washing) 154 °F/68 °C (Rinsing)	0.28 oz (8 g)	59 minutes	60 minutes
Quick	Shorter wash for lightly soiled loads	Hot water washing Cold water rinsing Hot water rinsing	122 °F/50 °C (Washing) 144 °F/62 °C (Rinsing)	0.28 oz (8 g)	29 minutes	60 minutes
Strong	Suitable for washing baby bottles, oily and grimy tableware, or pet products	Hot water washing Hot water rinsing Cold water rinsing Hot water rinsing	131 °F/55 °C (Washing) 131 °F/55 °C (Rinsing) 167 °F/75 °C (Rinsing)	0.42 oz (12 g)	89 minutes	60 minutes
Glass	Suitable for glassware and fragile items.	Hot water washing Cold water rinsing Hot water rinsing	131 °F/55 °C (Washing) 154 °F/68 °C (Rinsing)	0.28 oz (8 g)	50 minutes	60 minutes

Wash Cycle	Description	Wash Steps	Temperature	Detergent	Wash Time	Air Drying Time
Fruit	Suitable for washing hard surface fruit with room temperature water	Cold water rinsing Cold water rinsing	Constant temperature, no heating	Not required	19 minutes	/
Self-Clean	Recommended for regular use to maintain dishwashing performance	Hot water washing Cold water rinsing Cold water rinsing Hot water rinsing	131 °F/55 °C (Washing) 154 °F/68 °C (Rinsing)	0.28 oz (8 g)	79 minutes	60 minutes

NOTES:

- When water is supplied from the tank, the Normal, Strong and Self-Clean programs rinse one fewer time, with the same total wash time.
- For washing tableware using water from the water tank, add water with a temperature below 104 °F (40 °C). For washing fruits and vegetables, add room temperature water. The default cleaning time is 19 minutes for the Fruit cycle. You can stop the wash cycle any time during the wash to prevent the fruits from becoming over-washed or damaged.
- The Dry mode can be used with any wash cycle other than Fruit.

Dry Mode

What is Dry Mode?

The Dry mode can be used to keep your dishes clean and dry for long periods. Hot air drying and automatic ventilation can also prevent bacteria and odors, allowing you to keep your tableware sanitary while storing them.

How Does it Work?

When this mode is activated, after 60 minutes of hot air drying to the dishes, a 15-minute automatic ventilation will start every 75 minutes during the next 72 hours.



Working Modes

The Dry mode can be used together with any wash cycle other than Fruit and can also be turned on separately.

- ① To combine with a wash cycle: After choosing the wash cycle of Normal, ECO, Quick, Strong, Glass, Self-Clean, press the Dry button to add 72 hours of intermittent ventilation after the cycle. To cancel, simply press the Dry button again if the Dry mode does not start.
- ② To use separately: Do not start any wash cycle. Press and hold the Dry button for 3 seconds to start a separate Dry mode. This will add 60 minutes of hot air drying, a 15-minute automatic ventilation will start every 75 minutes during the next 72 hours.

NOTE: The Dry mode cannot be paused or canceled during operation of air-drying and intermittent circulation. If you want to cancel the Dry mode, press and hold the Power button for 3 seconds to turn off the dishwasher.

How the Working Status Panel Displays the Air-Dry Function

Air Dry after any wash cycle (except Fruit)	Power button and Start/Pause button will stay illuminated with remaining time and  on the working status panel.
Air Dry in separate Dry mode	Dry button and Power button will stay illuminated, with  during 60-minute hot air drying and "St" during 72-hour ventilation on the working panel.

Starting a Wash Cycle

1. Load the dishwasher. See "Loading the Dishwasher Basket" for instructions.
2. Add detergent. See "Detergent Use" for instructions.
3. Connect the water inlet hose to the faucet. Ensure that the faucet is turned on to full pressure. Alternatively, add water to the water tank manually. See "Adding Water to Dishwasher" for instructions.
4. Insert the power plug into a power outlet. The Power button should light up and pulse.
5. Press and hold the Power button for 3 seconds to turn on the appliance. The Power button and Start/Pause button will light up.
6. Press the corresponding button to select your desired wash cycle: Normal, ECO, Quick, Strong, Glass, Fruit and Self-Clean. Refer to the wash cycle table for details.
7. When a wash cycle is selected, the corresponding button will illuminate.
8. Press the Start/Pause button to start the wash cycle.
9. If needed, press the Dry button either before or after a wash cycle is started, or when the wash cycle is finished to add an extra 60 minutes of air-drying and 72 hours of intermittent ventilation for storage.
10. To pause the dishwasher, press the Start/Pause button. The button will flash until it is pressed again to resume the wash cycle.

NOTE: The Dry mode cannot be paused or canceled during operation of air-drying and intermittent circulation. If you want to cancel the drying, press and hold the Power button for 3 seconds to turn off the dishwasher.

Delayed Start Function

1. After selecting a wash cycle, press the Delay button to activate the timer.
2. Press the Delay button again to select a delayed start from 1 hour to 18 hours.
3. Press and hold the Delay button to cancel the timer.
4. After your desired time of delay is selected, press the Start/Pause button to start the timer. The wash cycle will start after the delay.

Child Lock

1. During a wash cycle or in the standby mode, press and hold the Child Lock button for 3 seconds to activate the child lock. The Child Lock button will illuminate.
2. While the child lock is activated, the machine will not respond to any button operations to avoid misoperation.
3. Press and hold the Child Lock button for 3 seconds again to deactivate the child lock.

Changing the Wash Cycle

The wash cycle cannot be changed during washing. If you want to change the wash cycle, please follow these steps to re-select a wash cycle:

1. Press the Start/Pause button to pause the wash cycle.
2. Press and hold the Power button for 3 seconds to turn off the machine.
3. Press and hold the Power button for 3 seconds to turn on the machine and start a new wash cycle. See "Starting a Wash Cycle" for instructions.

NOTE: Before the selection of a wash cycle, the detergent may have already been released and the appliance may have already drained the wash water. It is then required to refill the water tank if water is supplied from the tank, and the detergent dispenser must be refilled. See "Detergent Use" for instructions.

Forget to Add a Dish?

You can only add a dish if the dishwasher has been running for a short time prior to detergent being released and water being drained.

NOTE: It is dangerous to open the door when the wash cycle has commenced as the hot water may scald you. If you do need to open the door completely, press the Start/Pause button and then slowly open the door.

1. Press the Start/Pause button to stop the wash cycle.
2. After the spray arms stop moving, you can open the door. The LED lamp will then turn on.
3. Add forgotten dishes.
4. Close the door.
5. Press the Start/Pause button. The dishwasher will then resume operation.

At the End of a Wash Cycle

When the cleaning cycle is completed, the machine will drain out the water for 1 minute, and 6 beeps will be heard. When the entire wash cycle is completed, the machine will automatically enter the standby mode. Note: If the Dry mode is added, the machine will begin the Dry mode after the wash cycle is completed. After the air drying is finished, the machine will automatically enter the standby mode.

1. Turn off the water supply, if connected. If the water tank will not be used for a long time, it is recommended to drain the water tank by pressing and holding both the Dry button and Power button simultaneously for 3 seconds.
2. Unplug the appliance from the power source.

NOTE: When the wash cycle is completed, there may be a few droplets on the dishwasher's interior or on the tableware. This is normal.

CLEANING & MAINTENANCE

Filter System

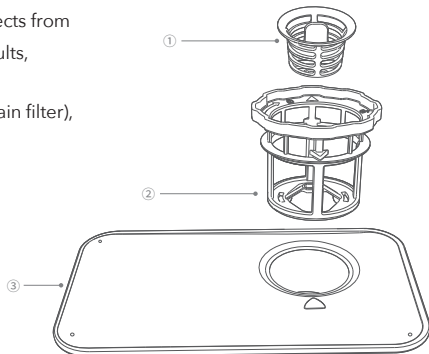
NOTES:

- Never run the dishwasher without the filters in place. Improper placement of the filters may reduce the performance of the dishwasher and damage dishes and utensils.
- Make sure the filters are properly assembled.
- The entire filter system should be cleaned once a week. Remove food remnants and clean the filters under running water.
- When cleaning the filters, do not knock them against surfaces. This can contort the filters and affect the performance of your dishwasher.

The filters prevent larger remnants of food or other objects from getting inside the pump. For best performance and results, regularly clean the filter system.

The filter system consists of a coarse filter, a flat filter (main filter), and a micro filter (fine filter).

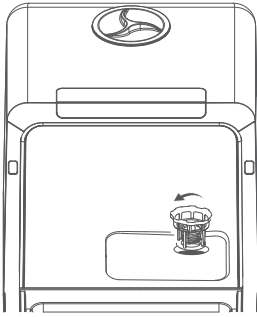
- ① Coarse filter: This filter traps larger items, such as pieces of bone or glass that could block the drain.
- ② Fine filter: This filter catches soil and food residue in the cylindrical base and prevents the soil from being redeposited on the dishes during wash cycle.



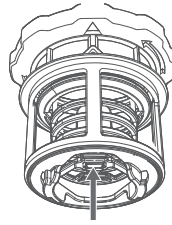
③ Main filter: Food and soil particles trapped by this filter are broken down by a special jet on the spray arm and flushed down the drain.

To Remove the Filter System

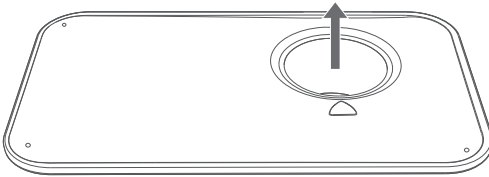
1. Turn the fine filter counterclockwise to remove it from the machine.



2. Push the tabs at the bottom center of the fine filter to separate the coarse filter from the fine filter.

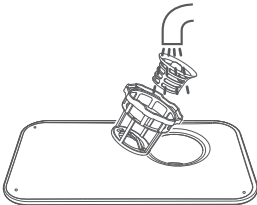


3. Remove the main filter by pulling upwards.

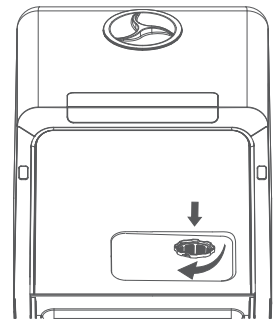


To Clean the Filter System

1. Rinse the filter system under running water. Use a soft cleaning brush to clean the coarse filter and the fine filter.



2. To reinstall the filter system, position the main filter on its seat and push downwards, align the tabs on the bottom of the coarse filter with the corresponding hole of the fine filter, and then insert the coarse filter into the fine filter. Then, place the fine filter into its seat and rotate clockwise to tighten.

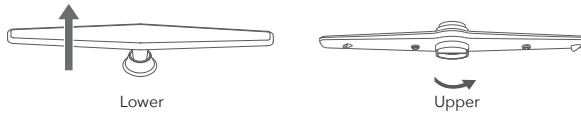


Spray Arms

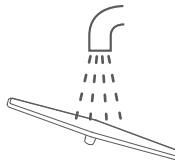
The upper and lower spray arms can be easily removed for periodic cleaning of the nozzles, preventing potential clogging. Wash them under running water and carefully replace them in their seats, checking that rotary movement is in no way impeded.

To Remove and Clean the Spray Arms

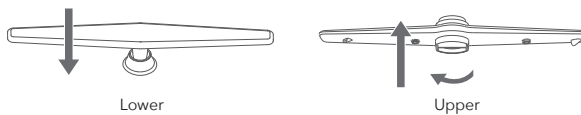
1. Open the door and take out the basket.
2. Remove the lower spray arm by grasping the center part of it and pulling upwards. Unscrew the upper spray arm by rotating counterclockwise.



3. Wash the arms under running water and brush each spray arm. Use tools with a sharp point, such as a needle, to clean nozzles if needed.



4. Replace the lower spray arm to its seat by pushing downward until it clicks into place. Replace the upper spray arm by screwing clockwise into its seat. Ensure that the spray arm movement is not impeded before running another cycle.



Dishwasher Care and Maintenance

Daily Maintenance

- The control panel and exterior should be cleaned by using a lightly damp cloth. After cleaning, make sure to dry thoroughly. Never use sharp objects, scouring pads, or harsh cleaners on any part of the dishwasher. To remove spots or stains from the surface of the interior, use a cloth dampened with water and a little vinegar.
- There may be some oil stains left on the edge of the dishwasher's interior wall or door after heavily soiled loads have been washed. To clean the edge around the door, only use a soft, warm, damp cloth. Avoid getting water inside the door lock and electrical components.
- Regularly clean the door seals with a damp sponge to prevent odors from trapped food particles in the door seal.

WARNING: Never use a spray cleaner to clean the door panel, as it may damage the door lock and electrical components. Abrasive agents or paper towels should not be used due to risk of scratching or leaving spots on the stainless-steel surface.

Protecting the Dishwasher from Freezing

Please take frost protection measures during the wintertime. After every wash cycle, take the following steps:

1. Turn off the dishwasher. Cut off electrical power from the dishwasher.
2. Turn off the water supply and disconnect the water inlet hose from the back of the unit.
3. Drain the water from the inlet hose and inlet port (Use a pan or bucket to catch the water).
4. Reconnect the water inlet hose to the inlet port.
5. Remove the filter system and use a sponge to absorb the water that is in the filter (sump) area.


If your dishwasher no longer works due to freezing or ice, please contact our after-sales service team.

General Tips

In order to keep your dishwasher in good working order, the following suggestions should be observed:

- Before cleaning or performing maintenance, always remove the plug.
- **After every wash** - Turn off the water supply to the appliance and leave the door slightly ajar so that moisture and odors are not trapped inside.
- **If the dishwasher will not be used for an extended period of time** - It is recommended that you run a wash cycle with the dishwasher empty, then power off the dishwasher, unplug the power cord, turn off the water supply, force drain the water tank, and leave the appliance door slightly open. This will help the door seals to last longer and prevent odors.
- **Moving the appliance** - If the appliance must be moved, try to keep it in a vertical position. Do not transport the unit on its side or upside down.
- **Water connection** - Connect the female connector to your faucet and make sure it is fastened tightly in place. Please Note: If the supplied water inlet hose does not fit your faucet, you may need to buy a faucet adapter from a plumbing supply manufacturer. If you are unsure of what to do, please feel free to contact our after-sales service team.
- **Water drainage** - The drain hose must be properly fitted to avoid water leaks. Ensure that the water drain hose is not kinked or in any way impeded. If the sink is higher than the surface where you have placed your dishwasher, it will be necessary to drain excess water into a bucket that is in a lower position than the dishwasher. If you need a drain hose extension, be sure to use a similar drain hose, and that it is no longer than 12 feet long. Otherwise, the cleaning effect of the dishwasher could be reduced.

ERROR CODES

Codes	Buzzer Sound	Error Type	Solutions
 (Water shortage icon keeps flashing red)	10 beeps (once every second)	A fault in the water inflow	<ol style="list-style-type: none">1. Make sure the faucet is connected and turned on, or the water tank is full.2. Restart the appliance. If the icon still flashes red, please contact NANOVA support team.
"E2"	5 beeps every 2 seconds	Draining error	<ol style="list-style-type: none">1. Check the drain hose and make sure the hose is not kinked or obstructed.2. Turn off the appliance and check if anything is blocking the filter system or drain hose.3. Make sure all hoses are not blocked.
"E3"		Overflow	<ol style="list-style-type: none">1. Drain the water tank manually: pause the wash cycle and press and hold both the Dry button and Power button simultaneously for 3 seconds. Restart the appliance.2. Tilt the machine backwards to 30-45 degrees and hold it in this position for at least 2 minutes, allowing water to flow out from the machine. Restart the appliance.

Codes	Buzzer Sound	Error Type	Solutions
"E4"	5 beeps every 2 seconds	Thermistor error	Restart the appliance. If the error code still persists, please contact NANOVA support team.
"E5"		Internal communication error	
"E6"		Heating system failure	
"E7"		Pressure switch failure	

*Please note that "St" is not an error code. It shows during the optional 72-hour intermittent ventilation.

TROUBLESHOOTING

Problems		Possible Causes	Solutions
TECHNICAL PROBLEMS	Dishwasher doesn't start.	Fuse is blown, or the circuit breaker is tripped.	Replace the fuse or reset the circuit breaker. Remove any other appliances sharing the same circuit with the dishwasher.
		Power supply is not turned on.	Make sure the power cord is properly plugged into the wall socket. Make sure the dishwasher is turned on and the door is closed securely.
		Water shortage.	Open the faucet or add water to the tank until the water shortage indicator turns off.
		Dishwasher door is not properly closed.	Make sure the door is fully closed.
	Insufficient water flow.	There is trapped air in the machine's water pipe system.	Slightly shake the machine 5-6 times to exhaust all trapped air.
	Water is not pumped from the dishwasher.	Kinks in the drain hose.	Check the drain hose.
		Filter system is clogged.	Check the coarse filter.
		Kitchen sink is clogged.	Check your kitchen sink to make sure it is draining. If the kitchen sink is not draining, contact a plumber.
Can't select a wash cycle.	The dishwasher is in operation.	Re-select a cycle by stopping the in-progress cycle or wait for the in-progress cycle to finish.	
GENERAL PROBLEMS	Suds in the tub.	Wrong detergent.	<ul style="list-style-type: none"> • Only use special detergents for dishwashers. • Open the dishwasher and remove foam by hand. • Pour 1.3 gallons of water into machine, or open the connected faucet, select any program, and let it run for 1-2 minutes. The foam will then be drained. Repeat process if needed. Note: If the water tank is not full and a faucet is not connected, the machine cannot be activated.
	Stained tub interior.	Detergent with colorant was used.	Do not use detergents with colorants.
	Discoloration of plastic tableware.	Washing temperature is too high.	Select a wash cycle with lower temperatures.
	White film on the inside surface.	Hard water minerals.	This problem is difficult to avoid in areas with hard water. To clean the interior, use a damp sponge with dishwasher detergent, wearing rubber gloves. Never use any cleaner other than dishwasher detergent, as there is a risk of foaming or suds.
There are rust stains on cutlery.	The affected items are not corrosion resistant.	Avoid washing items that are not corrosion resistant in the dishwasher.	

Problems		Possible Causes	Solutions
NOISE	Knocking noise inside the tub while running.	The spray arm is knocking against an item in the basket.	Pause the program and rearrange items obstructing the spray arms.
	Rattling noise inside the tub while running.	Items are not securely placed in the basket.	Pause the wash cycle and secure the items in the basket.
	Knocking noise in the water pipes.	This may be caused by on-site installation or the cross-section of the piping.	This has no influence on dishwasher function. If unsure, contact a qualified plumber.
UNSATISFACTORY WASHING RESULT	Tableware is not cleaned.	Dishes were not loaded properly.	See "Loading the Dishwasher Basket" for instructions.
		The wash cycle was not powerful enough.	Select a more intense wash cycle. Refer to the wash cycle table for details.
		Items are blocking the path of spray arms.	Rearrange the items so that the spray arms can rotate freely.
		The filter system is not clean or is not correctly installed.	Clean and/or fit the filter system correctly.
		Not enough detergent was dispensed.	Use more detergent or change detergent type.
	Cloudiness on glassware.	Combination of soft water and not enough detergent.	Use less detergent if you have soft water and select Glass cycle to wash the glassware.
	Egg custard left on the tableware.	Protein solidification.	Wash the tableware with egg custard by hand.
	Black or gray marks on dishes.	Aluminum utensils have rubbed against dishes.	Check that dishes are loaded properly and not rubbing against each other.
Detergent left in dispenser.	Dishes are blocking the detergent dispenser.	Check that dishes are loaded properly.	
UNSATISFACTORY DRYING RESULT	The dishes are not drying.	Improper loading.	Check that dishes are loaded properly.
		Inappropriate wash cycle.	Select an appropriate wash cycle.
		Poor drying effect for plastic/wooden tableware.	Dry tableware by hand.
		Drying cycle has not finished yet.	Wait for the drying cycle to finish.
		Cutlery has low-quality coating.	Water drainage is more difficult with these types of items. These types of cutlery and dishware are not suitable for washing in the dishwasher.
	Water drops left inside of machine.	Not enough drying time.	Select the Dry mode to add more air-drying time.

WARRANTY

NANOVA offers a limited 12-month warranty, plus lifetime technical support on our dishwasher.

The warranty does not apply where damage is caused by other factors, including without limitation: (a) normal wear and tear; (b) abuse, mishandling, accident, or failure to follow operating instructions; (c) exposure to liquid or infiltration of foreign particles; (d) servicing or modifications of the product other than by NANOVA; (e) commercial or non-household use.

These are our general terms for warranty service, but we always urge our customers to reach out to us with any issue, regardless of warranty terms.

CONTACT US

Website: www.nanovastore.com

Email: service@nanovastore.com

DEUTSCH

Bevor Sie diesen kompakten Geschirrspüler verwenden, lesen Sie bitte diese Bedienungsanleitung sorgfältig durch.

Diese Bedienungsanleitung ist für den NANOVA kompakter Arbeitsplatten Geschirrspüler (Modell: D1).

WARNUNG: Um das Verletzungsrisiko zu verringern, sollte der Benutzer diese Bedienungsanleitung lesen und verstehen, bevor er diesen Geschirrspüler benutzt.

Bitte heben Sie diese Bedienungsanleitung für zukünftige Referenz auf.

WICHTIGE SICHERHEITSHINWEISE

⚠️ WARNUNG! Befolgen Sie bei der Verwendung Ihres Geschirrspülers die unten aufgeführten Vorsichtsmaßnahmen:

- Dieses Gerät ist für den Einsatz in Innenräumen wie:
 - Mitarbeiter-/Küchenbereiche in Geschäften, Büros und anderen Arbeitsumgebungen;
 - Von Kunden in Hotels, Motels und anderen Wohnumgebungen;
 - Bauernhäuser;
 - Bed and Breakfast-Umgebungen
 - Wohnmobile, Boote, Reisemobile und andere Bereiche, in denen Elektrogeräte erlaubt sind.
- Dieses Gerät kann von Kindern ab 8 Jahren und Personen mit eingeschränkter körperlicher, sensorischer oder geistiger Fähigkeiten oder mangelnder Erfahrung und Kenntnis verwendet werden, wenn sie eine Aufsicht oder Anweisungen zur sicheren Verwendung des Geräts erhalten haben und die damit verbundenen Gefahren kennen. Kinder dürfen nicht mit dem Gerät spielen. Reinigung und Wartung dürfen nicht von Kindern ohne Aufsicht durchgeführt werden (gemäß EN 60335-1).
- Verpackungsmaterial kann für Kinder gefährlich sein.
- Dieses Gerät ist nur für den Hausgebrauch in Innenräumen bestimmt.
- Um vor Stromschlaggefahr zu schützen, tauchen Sie das Gerät, Kabel oder Stecker nicht in Wasser oder andere Flüssigkeiten.
- Bitte ziehen Sie vor der Reinigung und Wartungsdurchführung am Gerät den Stecker.
- Verwenden Sie ein weiches, mit milder Seife angefeuchtetes Tuch und wischen Sie es anschließend erneut mit einem trockenen Tuch ab.
- Missbrauchen, sitzen oder stehen Sie nicht an der Tür oder Geschirrkorb am Geschirrspülergerät.
- Betreiben Sie Ihren Geschirrspüler nur, wenn alle Gehäuseplatten ordnungsgemäß angebracht sind.
- Es ist gefährlich, die Tür bei laufendem Geschirrspüler zu öffnen, da die Gefahr besteht, dass Wasser austritt.
- Stellen Sie keine schweren Gegenstände auf oder stehen Sie auf der Tür, wenn sie geöffnet ist. Das Gerät könnte nach vorne kippen.
- Beim Laden von zu waschenden Gegenständen:
 - 1) Schauen Sie nach scharfen Gegenständen, damit sie die Türdichtung nicht beschädigen;
 - 2) Messer und andere Utensilien mit scharfen Spitzen müssen mit ihren Spitzen nach unten in den Korb geladen oder in eine horizontale Position gebracht werden.
- Überprüfen Sie, ob das Waschpulver nach Abschluss des Waschzyklus leer ist.
- Waschen Sie keine Plastikartikel, es sei denn, sie sind mit "spülmaschinenfest" oder ähnlichem gekennzeichnet.
- Für unmarkierte Kunststoffartikel, überprüfen Sie die Empfehlungen des Herstellers.
- Verwenden Sie nur Wasch- und Spülmittel, die für die Verwendung in einem automatischen Geschirrspüler empfohlen werden.
- Verwenden Sie niemals Seife, Waschmittel oder Handwaschmittel in der Spülmaschine.
- Die Tür sollte nicht offen gelassen werden, da dies die Stolpergefahr erhöhen könnte.
- Wenn das Netzkabel beschädigt ist, muss es vom Hersteller, Servicemitarbeiter oder einer ähnlich qualifizierten Person ersetzt werden, um Gefahren zu vermeiden.

- Während der Installation darf das Netzteil nicht übermäßig oder gefährlich verbogen oder abgeflacht werden.
- * Manipulieren Sie keine Kontrollen.
- Das Gerät muss mit neuen Schlauchsets an das Hauptwasserventil angeschlossen werden. Alte Sets sollten nicht wiederverwendet werden.
- Dieses Gerät hat maximal 2 Einstellmöglichkeiten.
- Der maximal zulässige Einlasswasserdruck beträgt 1 MPa.
- Die minimal zulässige Einlasswasserdruck beträgt 0,04 MPa.

ERDUNG ANWEISUNGEN

- Dieses Gerät muss geerdet sein. Im Falle einer Fehlfunktion oder eines Ausfalls verringert die Erdung das Risiko eines elektrischen Schlags, indem ein Pfad mit dem geringsten Widerstand für elektrischen Strom bereitgestellt wird. Dieses Gerät ist mit einem Erdungsleiterstecker ausgestattet. Schneiden oder entfernen Sie unter keinen Umständen den Erdungsstecker vom Netzkabel.
- Der Stecker muss an eine geeignete Steckdose angeschlossen werden, die gemäß allen örtlichen Vorschriften und Verordnungen installiert und geerdet ist.
- Unsachgemäßer Anschluss des Geräte-Erdungsleiters kann zur Gefahr eines Stromschlags führen.
- Erkundigen Sie sich im Zweifelsfall bei einem qualifizierten Elektriker oder Servicemitarbeiter, ob das Gerät ordnungsgemäß geerdet ist.
- Ändern Sie den mit dem Gerät gelieferten Stecker nicht, wenn er nicht in die Steckdose passt.
- Lassen Sie eine geeignete Steckdose von einem qualifizierten Elektriker installieren.

ENTSORGUNG

- Die Verpackungsmaterialien dieses Geräts sind recycelbar. Entsorgen Sie die Verpackung in einem geeigneten Abfallsammelbehälter, um sie zu recyceln.
- Es ist verboten, das Gerät als Hausmüll zu entsorgen. Ordnungsgemäße Entsorgung dieses Produkts: Dieses Symbol auf dem Produkt oder seiner Verpackung weist darauf hin, dass dieses Produkt nicht als Hausmüll behandelt werden darf. Stattdessen sollte es zur geeigneten Abfallsammelstelle für das Recycling von elektrischen und elektronischen Geräten gebracht werden. Indem Sie sicherstellen, dass dieses Produkt ordnungsgemäß entsorgt wird, tragen Sie dazu bei, mögliche negative Folgen für die Umwelt und die menschliche Gesundheit zu vermeiden, die andernfalls durch die unangemessene Abfallbehandlung dieses Produkts verursacht werden könnten.
- Für detailliertere Informationen über das Recycling dieses Produkts wenden Sie sich bitte an Ihren örtlichen Rat, Ihren Hausmüllentsorger oder das Geschäft, in dem Sie das Produkt gekauft haben.



WARNUNG

- Zur Entsorgung des Pakets und des Geräts gehen Sie bitte zu einem Recyclingzentrum. Schneiden Sie daher das Stromversorgungskabel ab und machen Sie die Türschließeinrichtung unbrauchbar.
- Kartonverpackungen werden aus Recyclingpapier hergestellt und sollten in der Altpapiersammlung zum Recycling entsorgt werden.
- Indem Sie sicherstellen, dass dieses Produkt ordnungsgemäß entsorgt wird, tragen Sie dazu bei, mögliche negative Folgen für die Umwelt und die menschliche Gesundheit zu vermeiden, die andernfalls durch unsachgemäße Abfallbehandlung dieses Produkts verursacht werden könnten.

- Für detailliertere Informationen zum Recycling dieses Produkts wenden Sie sich bitte an Ihr lokales Stadtbüro und Ihren Hausmüllentsorger.
- Entsorgen Sie dieses Produkt nicht als unsortierten Siedlungsabfall. Die getrennte Sammlung solcher Abfälle zur Sonderbehandlung ist erforderlich.

ELEKTRISCHE ANFORDERUNGEN

Schauen Sie sich das Bewertungsetikett für die Nennspannung an und schließen Sie den Geschirrspüler an die entsprechende Stromversorgung an. Wenn das Netzkabel beschädigt ist, muss es vom Hersteller, Servicemitarbeiter oder einer ähnlich qualifizierten Person ersetzt werden, um Gefahren zu vermeiden.

ELEKTROANSCHLUSS

Stellen Sie sicher, dass die Spannung und Frequenz des Geschirrspülers denen auf der Bewertungsplatte entspricht. Stecken Sie den Stecker nur in eine ordnungsgemäß geerdete Steckdose. Wenn Ihre Steckdosen nicht für den Stecker geeignet sind, ersetzen Sie die Steckdosen, anstatt einen Adapter zu verwenden.

WICHTIGE SICHERHEITSVORKEHRUNGEN

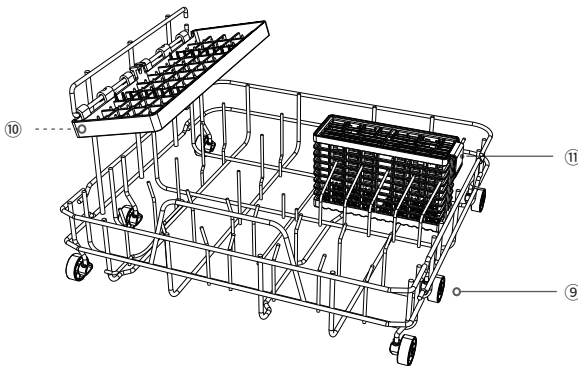
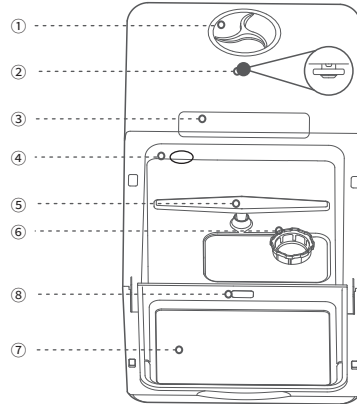
- Betreiben Sie dieses Gerät **NICHT**, wenn Teile fehlen oder defekt sind.
- Betreiben Sie dieses Gerät **NICHT**, es sei denn, alle Teile sind ordnungsgemäß installiert.
- Stellen Sie **KEINE** schweren Gegenstände auf den Geschirrspüler.
- Verwenden Sie nur Reinigungsmittel für automatische Geschirrspüler. Geschirrspülmittel ist ätzend. Bewahren Sie das Geschirrspülmittel außerhalb der Reichweite von Kindern auf.
- Es ist gefährlich, die Tür zu öffnen, während der Geschirrspüler läuft, da heißes Wasser Sie verbrühen kann.
- Warten Sie, bis der Geschirrspüler abgekühlt ist, bevor Sie Teile zusammenbauen oder zerlegen und bevor Sie ihn reinigen.
- Betreiben Sie dieses Gerät **NICHT** mit einem beschädigten Kabel oder Stecker oder wenn das Gerät ausfällt oder in irgendeiner Weise beschädigt ist.
- Es wird nicht empfohlen, andere Zubehörteile als die vom Hersteller bereitgestellten zu verwenden. Die Verwendung von Zubehörteilen kann zu Verletzungen führen.
- Verwenden Sie für dieses Gerät **KEIN** Verlängerungskabel oder einen Adapterstecker.
- Verwenden Sie das Gerät **NICHT** für andere Zwecke als den vorgesehenen Zweck.
- **NICHT** auf oder in der Nähe eines Gas- oder Elektrobrenners platzieren.
- Lassen Sie das Kabel **NICHT** über den Rand eines Tisches oder einer Theke hängen oder heiße Oberflächen berühren.
- Zum Trennen schalten Sie die Steuerung auf "OFF" und ziehen Sie den Stecker aus der Steckdose.

LERNEN SIE IHRE SPÜLMASCHINE KENNEN

WICHTIG: Um die beste Leistung Ihres Geschirrspülers zu erzielen, lesen Sie vor dem ersten Gebrauch alle Betriebsanleitungen für den Geschirrspüler.

Geschirrspüler Eigenschaften

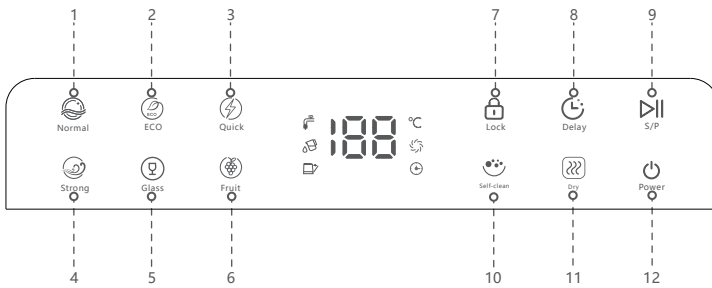
- ① Wassertank
- ② Oberer Sprüharm
- ③ Bedienfeld
- ④ LED-Lampe
- ⑤ Unterer Sprüharm
- ⑥ Filtersystem
- ⑦ Glastür
- ⑧ Reinigungsmittel-Spender
- ⑨ Geschirrkorb
- ⑩ Lagerregal
- ⑪ Besteckkorb



Eingebaute LED-Lampe

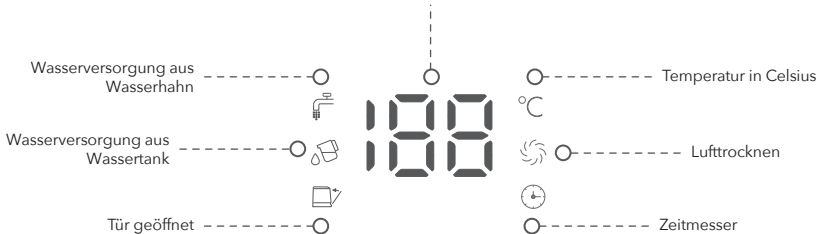
Mit der LED-Lampe können Sie den Betriebsstatus des Geschirrspülers deutlich überprüfen. Wenn die Glastür geöffnet wird, schaltet sich die Lampe automatisch ein und wenn die Glastür geschlossen ist, schaltet Sie sich innerhalb von 2 Minuten automatisch aus. Wenn die Tür länger als 5 Minuten offen gehalten wird, schaltet Sie sich automatisch aus. In den letzten 10 Minuten des Trocknungsprozesses schaltet sich die LED-Lampe ein und zeigt an, dass die Trocknung fast abgeschlossen ist.

Bedienfeld



Nr.	Symbol	Taste/Anzeige	Funktion
1		Normal	Für normale verschmutzte Lasten wie Geschirr, Gläser und anderes Geschirr.
2		ECO	Geeignet zum Waschen von leicht schmutzigem Geschirr.
3		Quick (Schnell)	Eine kürzere Wäsche für leicht verschmutzte Lasten.
4		Strong (Mächtig)	Geeignet zum Waschen von Babyflaschen, öligem und schmutzigem Geschirr oder Haustierprodukten.
5		Glass (Glas)	Geeignet für Glaswaren und zerbrechliche Gegenstände.
6		Fruit (Frucht)	Geeignet zum Waschen von Früchten mit harter Oberfläche mit Wasser bei Raumtemperatur. Es muss kein Reinigungsmittel hinzugefügt werden.
7		Child Lock (Kindersicherung)	Halten Sie diese Taste 3 Sekunden lang gedrückt, um die Kindersicherung zu aktivieren.
8		Delay (Verzögerung)	Drücken Sie diese Taste, um einen später beginnenden Waschzyklus zu planen.
9		Start/Pause	Drücken Sie diese Taste, um einen Waschzyklus zu starten oder anzuhalten.
10		Self-Clean (Selbstreinigung)	Geeignet für die regelmäßige Selbstreinigung, der für die Aufrechterhaltung der Spüleistung gedacht ist.
11		Dry (Trocken)	60 Minuten Heißlufttrocknung und 72 Stunden automatische intermittierende Trocknungsventilation zur Geruchs-beseitigung und Erleichterung der Lagerung. "St" wird während der belüfteten Lagerung angezeigt. (Drücken und halten Sie die Einschalttaste 3 Sekunden lang, um die Belüftung abzubrechen.)
12		Power	Halten Sie diese Taste 3 Sekunden lang gedrückt, um das Gerät ein- und auszuschalten.

Zeigt Temperatur, Zeit, Fehlercode usw. an.



INSTALLATION

Stückliste



Einlassschlauch × 1
(154 cm)



Ablaufschlauch × 1
(154 cm)



Fruchtkorb × 1



Krug × 1

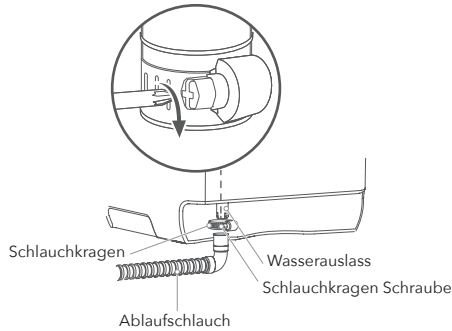


Schlauchkragen × 1



Besteckkorb × 1

Anschluss des Ablaufschlauchs an die Maschine

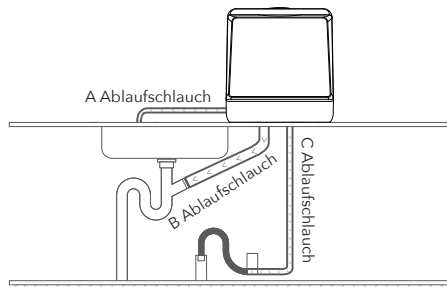


WARNUNG: Der Spülmaschinenablaufschlauch ist ein wesentlicher Bestandteil der Maschine, daher muss er korrekt installiert sein, um Wasser abzulassen und seine Arbeit effektiv auszuführen.

1. Schließen Sie den Ablaufschlauch an den Wasserauslass auf der Rückseite der Maschine an.
2. Ziehen Sie die Schlauchkragen Schraube mit einem Schraubenzieher fest.

Schließen den Abflussschlauchs an einen Abwasserkanal an

1. Es gibt drei Optionen für den Kanalanschluss: A (Spüle), B (Spüle Abflussrohr) und C (Abflussrohr). Für die Optionen B und C ist es erforderlich, ein Loch auf oder unter der Arbeitsplatte zu bohren, damit das Rohr durch die Arbeitsplatte gehen kann.
2. Der Ablaufschlauch muss vollständig an seiner Eindämmungsquelle (z.B. Spüle, Eimer usw.) angebracht sein, um Wasserlecks zu vermeiden. Stellen Sie sicher, dass der Ablaufschlauch in keiner Weise geknickt oder behindert ist.




Hinzufügen von Wasser zum Geschirrpüler

HINWEIS: Diese Maschine unterstützt zwei Wasserversorgungsoptionen: von einem Wasserhahn  und aus dem eingebauten Wassertank .


Zufuhr von Wasser aus einem Wasserhahn

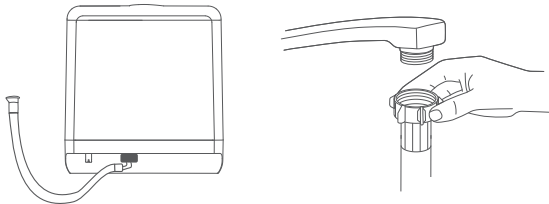
1. Entfernen Sie den Kieselgelstopfen vom Wassereinlass auf der Rückseite der Maschine. Befestigen Sie dann ein Ende des Wassereinlassschlauchs am Wassereinlass der Maschine.
2. Schließen Sie das andere Ende des Wassereinlassschlauchs an Ihren Wasserhahn an und stellen Sie sicher, dass er fest befestigt ist.

Hinweis: Wenn der mitgelieferte Wassereinlassschlauch nicht zu Ihrem Wasserhahn passt, müssen Sie möglicherweise einen Wasserhahn-adapter von einem SanitärversorgungsHersteller kaufen. Wenn Sie sich nicht sicher sind, was zu tun ist, wenden Sie sich bitte an unser Service-Team.

3. Schalten Sie den Geschirrpüler ein und drücken Sie die Modus-Taste, um einen Waschzyklus auszuwählen. Drücken Sie dann die Start/Pause-Taste, um den Waschzyklus zu starten. Das Bedienfeld zeigt eine weiße Anzeige an , d.h. der Wasserhahn ist ordnungsgemäß angeschlossen und eingeschaltet.

HINWEISE:

1. Während der Wasserversorgung aus einem Wasserhahn, trennen Sie **NICHT** den Wasserhahn. Andernfalls kann der Waschzyklus nicht abgeschlossen werden.
2. A **rot** blinkende Wassermangelanzeige xxx bedeutet, dass diese Maschine nicht an einen Wasserhahn  angeschlossen ist, der Wasserhahn nicht eingeschaltet ist und / oder der Wassertank nicht voll ist.






Zufuhr von Wasser aus dem Wassertank

Erinnerung: Wenn die Maschine zum ersten Mal verwendet wird oder lange Zeit nicht verwendet wurde, kann ein unzureichender Wasserfluss auftreten, wenn der Wassertank aufgrund eingeschlossener Luft im Wasserleitungssystem der Maschine gefüllt ist, wodurch verhindert wird, dass das Wasser in den Maschineninnenraum fließt. In diesem Fall können Sie die Maschine 5-6 Mal leicht schütteln, um die eingeschlossene Luft abzulassen. Dies gewährleistet einen reibungslosen Wasserfluss.


1. Öffnen Sie den Wassertank Deckel und füllen mit über 5 L Wasser oder etwa 3 Krüge. Wenn der Tank voll ist, sind 3 Pieptöne zu hören. Während des Waschvorgangs muss nicht mehr Wasser hinzugefügt werden.

HINWEIS: Um einen Verlust des Tankdeckels zu vermeiden, befestigen Sie ihn am Wassertank.

2. Wenn der Wassertank beim Start eines Waschzyklus nicht voll ist, wird auf dem Bedienfeld eine rot blinkende Wassermangelanzeige   angezeigt und der Summer piept. Wenn der Wassertank voll ist, wird eine weiße Wassertankmodus Anzeige  erscheinen.

3. Wenn die Maschine vor Beginn eines Waschzyklus feststellt, dass der Wassertank voll ist, verwendet sie automatisch die Wasserversorgung aus dem Tank.

4. Um den Wassertank von Hand abzulassen, unterbrechen Sie den Waschzyklus und halten Sie die Trocken-Taste und den Netzschalter 3 Sekunden lang gleichzeitig gedrückt. Wenn der Wassertank längere Zeit nicht verwendet wird, wird empfohlen, den Wassertank zu leeren.

5. Das System überprüft automatisch alle Wasserversorgungen. Wenn die rote Wassermangelanzeige  angezeigt wird, müssen Sie den Wassertank füllen oder den Wasserhahn einschalten. Sobald der Wassertank gefüllt ist, startet die Maschine automatisch den von Ihnen ausgewählten Waschzyklus, ohne die Start/Pause-Taste erneut drücken zu müssen. Wenn ein Wasserhahn zur Wasserversorgung verwendet wird, müssen Sie die Start / Pause-Taste erneut drücken, um den Waschzyklus nach dem Öffnen des Wasserhahns zu starten.

HINWEIS: Wenn Sie im Falle eines Wassermangels die Start/Pause-Taste 5 Mal drücken und noch keine ausreichende Wasserversorgung vorhanden ist, wechselt die Maschine automatisch in den Standby-Modus. Oder, wenn es ist keine Benutzerbetrieb oder Wasserversorgung für 10 Minuten gibt, wechselt die Maschine automatisch in den Standby-Modus.

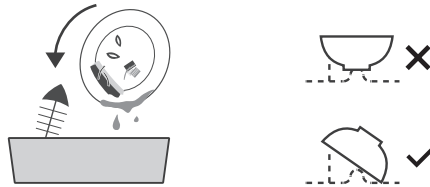
TECHNISCHE DATEN

Modell	D1
Spannung/Frequenz	110-120 V/60 Hz (US) 220-240 V/50 Hz (EU)
Füllmenge	2 Gedecke
Strom	950 W
Einlassdruck	0.04-1 MPa
Wassertank Kapazität	5 L
Trocken-Modus	PTC heiße Luft
Geräuschpegel	60 dB
Energie-Bewertung	F
Produktgewicht	13 kg
Produktgröße	428 × 425 × 458 mm

BETRIEBSANLEITUNG

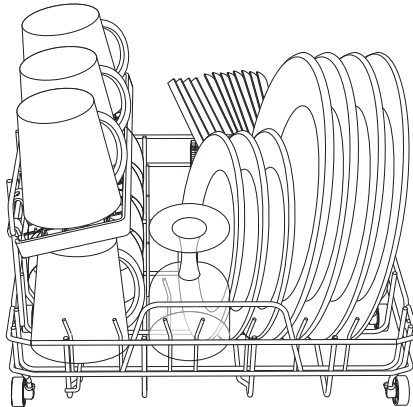
Laden Sie den Spülmaschinenkorb

- Entfernen Sie große, harte Essensreste, bevor Sie Geschirr in die Spülmaschine geben.



- Stapeln Sie Tassen, Gläser und Schüsseln auf einer Neigung nach unten, damit Wasser nach innen gelangen und abfließen kann. Legen Sie die Teller in die Schlitze ein und richten Sie sie in Richtung des Sprüharms, um sicherzustellen, dass Wasser für eine ordnungsgemäße Reinigung durchläuft. Laden Sie Messer, Gabeln und Löffel mit Griffen nach oben und kippen Sie sie so weit wie möglich, um Stärke oder Verletzungen zu vermeiden, wenn Sie sie aus der Spülmaschine nehmen. Sie können sich beim Beladen des Geschirrspülers auf die Abbildung beziehen.

Empfohlenes Layout für 2 Gedecke



Befolgen Sie für die beste Reinigungsleistung die folgenden Ladungsrichtlinien:

- Kratzen Sie große Lebensmittelpartikel ab.
- Weichen Sie Reste verbrannter Lebensmittel in Pfannen ein.
- Es ist nicht notwendig, alle Gerichte unter fließendem Wasser zu spülen.
- Stellen Sie Gegenstände wie folgt in die Spülmaschine:
 - Laden Sie hohle Gegenstände wie Tassen, Gläser, Pfannen usw. mit der Öffnung nach unten.
 - Gekrümmte Gegenstände oder Gegenstände mit Aussparungen sollten schräg geladen werden, damit Wasser ablaufen kann.
 - Alles Geschirr und Besteck sollte so platziert werden, dass die Sprüharme während dem Waschvorgang frei bewegen können.

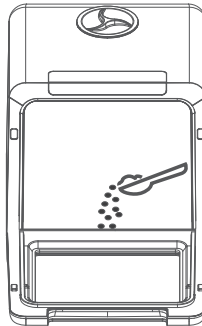
- Messer und andere Utensilien mit scharfen Punkten sollten mit Ihren Punkten nach unten in das Lagerregal oder den Besteckkorb geladen oder in eine horizontale Position gebracht werden, damit Sie das innere des Geschirrspülers nicht beschädigen.
- Sehr kleine Gegenstände sollten nicht in der Spülmaschine gewaschen werden, da Sie herausfallen könnten.
- Geschirr und Besteck sollten nicht im Inneren liegen, gestapelt oder gegeneinander liegen.
- Um Schäden an der Brille zu vermeiden, stellen Sie sicher, dass Sie sich nicht berühren.
- Überladen Sie den Geschirrspüler nicht. Stellen Sie das Geschirr und das Kochgeschirr so auf, dass sie nicht vom Wassersprüher bewegt werden.

Nicht geeignet für:

- Besteck mit Holz- oder Perlmuttergriffen
- Nicht hitzebeständige Kunststoffgegenstände
- Nicht hitzebeständiges geklebtes Besteck oder Porzellan
- Zinn- oder Kupfergegenstände
- Empfindlicher Kristall
- Rostfreie oder verfärbte Stahl- oder Silbergegenstände
- Holzgegenstände
- Glasierte Gegenstände, die verblassen können
- Bemaltes Geschirr

Waschmittel Gebrauch

Pods, Flüssigkeit oder Pulverwaschmittel sind alle akzeptabel. Füllen Sie Waschmittel in den Waschmittelpender unten an der Glastür (siehe Abbildung unten).



WARNUNG: Verwenden Sie nur Waschmittel, die speziell für Geschirrspülmaschinen hergestellt wurden. Verwenden Sie keine Spülmittel. Geschirrspülmittel ist ätzend! Von Kindern fernhalten.

- Fügen Sie **KEINE** Reinigungsmittel hinzu, wenn Sie den Fruchtwaschzyklus verwenden.
- Die Verwendung von normalen Waschzyklus in Kombination mit niedrigen alkalischen konzentrierten Waschmittel mit natürlichen Enzyme reduziert Verschmutzung und ist gut für ihr Geschirr.
- Das Reinigungsmittel muss vor Beginn jedes Waschzyklus nachgefüllt werden.
- Im Allgemeinen wird nur ein Esslöffel Waschmittel für eine normale Waschlaster benötigt.
- Fügen Sie das Waschmittel immer kurz vor dem Start des Geschirrspülers hinzu. Andernfalls könnte es feucht werden und sich nicht richtig auflösen.

Waschzyklus Auswahl

Vorprogrammierter Waschzyklus

Die folgende Tabelle zeigt, welcher vorprogrammierte Waschzyklus für jeden Reinigungsauftrag verwendet werden sollte und wie viel Waschmittel benötigt wird.

Waschzyklus	Beschr.	Wasch-Schritte	Temp.	Waschmittel	Waschzeit	Lufttrocknungszeit
Normal	Zur Reinigung normaler verschmutzter Lasten	Warmwasser waschen Kaltes Wasser spülen Kaltes Wasser spülen Heißes Wasser spülen	55 °C (Waschen) 68 °C (Spülen)	8 g	69 Minuten	60 Minuten
ECO	Geeignet zum Waschen von leicht schmutzigem Geschirr	Warmwasser waschen Kaltes Wasser spülen Heißes Wasser spülen	55 °C (Waschen) 68 °C (Spülen)	8 g	59 Minuten	60 Minuten
Quick (Schnell)	Kürzere Wäsche für leicht verschmutzte Lasten	Warmwasser waschen Kaltes Wasser spülen Heißes Wasser spülen	50 °C (Waschen) 62 °C (Spülen)	8 g	29 Minuten	60 Minuten
Strong (Mächtig)	Geeignet zum Waschen von Babyflaschen, öligem und schmutzigem Geschirr oder Haustierprodukten.	Warmwasser waschen Heißes Wasser spülen Kaltes Wasser spülen Heißes Wasser spülen	55 °C (Waschen) 55 °C (Spülen) 75 °C (Spülen)	12 g	89 Minuten	60 Minuten
Glass (Glas)	Geeignet für Glaswaren und zerbrechliche Gegenstände	Warmwasser waschen Kaltes Wasser spülen Heißes Wasser spülen	55 °C (Waschen) 68 °C (Spülen)	8 g	50 Minuten	60 Minuten
Fruit (Frucht)	Geeignet zum Waschen von harten Oberflächenobst mit Wasser bei Raumtemperatur	Kaltes Wasser spülen Kaltes Wasser spülen	Konstante Temperatur, keine Erhitzung	Nicht erforderlich	19 Minuten	/
Self-Clean (Selbstreinigung)	Geeignet für die regelmäßige Selbstreinigung, der für die Aufrechterhaltung der Spülleistung gedacht ist	Warmwasser waschen Kaltes Wasser spülen Kaltes Wasser spülen Heißes Wasser spülen	55 °C (Waschen) 68 °C (Spülen)	8 g	79 Minuten	60 Minuten

HINWEISE:

- Wenn Wasser aus dem Tank nachgefüllt wird, spülen die Programme Normal, Strong (Mächtig) und Self-Clean (Selbstreinigung) ein Mal weniger, mit derselben Gesamtwaschzeit.
- Zum Waschen von Geschirr mit Wasser aus dem Wassertank, fügen Sie Wasser mit einer Temperatur unter 40 °C hinzu. Zum Waschen von Obst und Gemüse Wasser bei Raumtemperatur hinzufügen. Die Standardreinigungszeit beträgt 19 Minuten für den Fruchtzyklus. Sie können den Waschzyklus jederzeit während des Waschvorgangs stoppen, um zu verhindern, dass die Früchte überwaschen oder beschädigt werden.
- Der Trocken-Modus kann mit jedem anderen Waschzyklus außer Fruchtzyklus verwendet werden.

Trocken-Modus

Was ist Trocken-Modus?

Der Trocken-Modus kann verwendet werden, um Ihr Geschirr für lange Zeit sauber und trocken zu halten. Heißlufttrocknung und automatische Belüftung können auch Bakterien und Gerüche verhindern, so dass Sie Ihr Geschirr während der Lagerung hygienisch halten können.

Wie funktioniert es?

Wenn dieser Modus aktiviert ist, beginnt nach 60 Minuten Heißlufttrocknung der Geschirr ein automatischer Belüftungszyklus von 15 Minuten alle 75 Minuten während der nächsten 72 Stunden.

Betriebsmodi



Der Trocken-Modus kann zusammen mit jedem anderen Waschzyklus außer Fruchtzyklus verwendet und auch separat eingeschaltet werden.

① Um mit einem Waschzyklus zu kombinieren: Wählen Sie den Waschzyklus- Normal, ECO, Quick, Strong, Glass oder Self-Clean aus, und drücken Sie dann die Taste Dry, um nach dem Zyklus 72 Stunden intermittierende Belüftung hinzuzufügen. Zum Abbrechen drücken Sie einfach erneut die Taste Dry, wenn der Dry-Modus nicht startet.

② Um separat zu verwenden: Drücken und halten Sie die Taste Trocknen 3 Sekunden lang, um einen separaten Trocknungsmodus zu starten. Dies fügt 60 Minuten Heißlufttrocknung hinzu; alle 75 Minuten startet eine 15-minütige automatische Belüftung während der nächsten 72 Stunden.

HINWEIS: Der Trocken-Modus kann während des Betriebs der Lufttrocknung und der intermittierenden Zirkulation nicht angehalten oder abgebrochen werden. Wenn Sie den Trocken-Modus abbrechen möchten, halten Sie den Netzschalter 3 Sekunden lang gedrückt, um den Geschirrspüler auszuschalten.

So zeigt das Bedienstatusfeld die Funktion "Luft Trocknen" an

Nach jedem Waschzyklus an der Luft trocknen (außer Frucht)	Power-Taste und Start/Pause-Taste wird beleuchtet bleiben mit verbleibende Zeit und  auf dem Bedienstatusfeld.
Luft trocknen in separaten Trocken-Modus	Die Trockentaste und die Einschalttaste bleiben beleuchtet, mit  während der 60-minütigen Heißlufttrocknung und "St" während der 72-stündigen Belüftung auf dem Bedienfeld.

Einen Waschzyklus starten

1. Laden Sie den Geschirrspüler. Anweisungen finden Sie unter "Laden Sie den Spülmaschinenkorb".
2. Waschmittel hinzufügen. Siehe "Waschmittel Gebrauch" für Anweisungen.
3. Schließen Sie den Wassereinlassschlauch an den Wasserhahn an. Stellen Sie sicher, dass der Wasserhahn auf vollen Druck eingeschaltet ist. Alternativ können Sie manuell Wasser in den Wassertank geben. Siehe "Hinzufügen von Wasser zum Geschirrspüler" für Anweisungen.
4. Stecken Sie den Netzstecker in eine Steckdose. Die Power-Taste sollte aufleuchten und pulsieren.
5. Halten Sie die Power-Taste 3 Sekunden lang gedrückt, um das Gerät einzuschalten. Die Power-Taste und Start/Pause-Taste leuchtet.
6. Drücken Sie die entsprechende Taste, um den gewünschten Waschzyklus auszuwählen: Normal, ECO, Quick (Schnell), Strong (Mächtig), Glass (Glas), Fruit (Frucht) und Self-Clean (Selbstreinigung). Einzelheiten finden Sie in der Waschzyklustabelle.
7. Wenn ein Waschzyklus ausgewählt ist, leuchtet die entsprechende Taste auf.
8. Drücken Sie die Start/Pause-Taste, um den Waschzyklus zu starten.
9. Falls erforderlich, drücken Sie die Trocken-Taste entweder vor oder nach dem Start eines Waschzyklus oder wenn der Waschzyklus beendet ist, um zusätzliche 60 Minuten Lufttrocknung und 72 Stunden intermittierende Belüftung für die Lagerung hinzuzufügen.
10. Um den Geschirrspüler anzuhalten, drücken Sie die Start/Pause-Taste. Die Taste blinkt, bis sie erneut gedrückt wird, um den Waschzyklus fortzusetzen.

HINWEIS: Der Trocken-Modus kann während des Betriebs der Lufttrocknung und der intermittierenden Zirkulation nicht angehalten oder abgebrochen werden. Wenn Sie den Trocken-Modus abbrechen möchten, halten Sie die Power-Taste 3 Sekunden lang gedrückt, um den Geschirrspüler auszuschalten.

Funktion für später beginnenden Waschzyklus

1. Nachdem Sie einen Waschzyklus ausgewählt haben, drücken Sie die Verzögerungstaste, um den Timer zu aktivieren.
2. Drücken Sie erneut die Verzögerungstaste, um einen verzögerten Start von 1 Stunde bis 18 Stunden auszuwählen.
3. Drücken und halten Sie die Verzögerungstaste, um den Timer zu unterbrechen.
4. Nachdem Sie die gewünschte Verzögerungszeit ausgewählt haben, drücken Sie die Start/Pause-Taste, um den Timer zu starten. Der Waschzyklus beginnt nach der Verzögerung.

Kindersicherung

1. Halten Sie während eines Waschzyklus oder im Standby-Modus die Kindersicherungstaste 3 Sekunden lang gedrückt, um die Kindersicherung zu aktivieren. Die Kindersicherungstaste leuchtet auf.
2. Solange die Kindersicherung aktiviert ist, reagiert das Gerät nicht auf Tastenbetätigungen, damit Fehlbedienungen vermieden werden.
3. Halten Sie die Kindersicherungstaste nochmals 3 Sekunden lang gedrückt, um die Kindersicherung zu deaktivieren.

Ändern des Waschzyklus

Der Waschzyklus kann während des Waschens nicht geändert werden. Wenn Sie den Waschzyklus ändern möchten, folgen Sie bitte diesen Schritten, um einen Waschzyklus erneut auszuwählen:

1. Drücken Sie die Start/Pause-Taste, um den Waschzyklus anzuhalten.
2. Halten Sie die Power-Taste 3 Sekunden lang gedrückt, um das Gerät auszuschalten.
3. Drücken und halten sie die Power-Taste für 3 Sekunden, um die Maschine einzuschalten und einen neuen Waschzyklus zu starten. Anweisungen finden Sie unter "Waschzyklus starten".

HINWEIS: Vor der Wahl eines Waschzyklus ist das Waschmittel möglicherweise bereits freigegeben und das Gerät hat das Waschwasser möglicherweise bereits abgelassen. Es ist dann erforderlich, den Wassertank nachzufüllen, wenn Wasser aus dem Tank zugeführt wird, und der Waschmittelspender muss nachgefüllt werden. Siehe "Waschmittel Gebrauch" für Anweisungen.

Vergessen, ein Geschirr hinzuzufügen?

Sie können ein Geschirr nur hinzufügen, wenn der Geschirrspüler kurz vor dem Ablassen des Waschmittels und dem Ablassen von Wasser läuft.

HINWEIS: Es ist gefährlich, die Tür zu öffnen, wenn der Waschzyklus begonnen hat, da das heiße Wasser Sie verbrühen kann. Wenn Sie die Tür vollständig öffnen müssen, drücken Sie die Start/Pause-Taste und öffnen Sie langsam die Tür.

1. Drücken Sie die Start/Pause-Taste, um den Waschzyklus zu stoppen.
2. Nachdem sich die Sprüharme nicht mehr bewegen, können Sie die Tür öffnen. Die LED-Lampe schaltet sich dann ein.
3. Fügen Sie vergessenes Geschirr hinzu.
4. Schließen Sie die Tür.
5. Drücken Sie die Start/Pause-Taste. Der Geschirrspüler nimmt dann den Betrieb wieder auf.

Am Ende eines Waschzyklus

Wenn der Reinigungszyklus abgeschlossen ist, wird die Maschine das Wasser für 1 Minute ablassen und 6 Pieptöne werden gehört. Wenn der gesamte Waschzyklus abgeschlossen ist, wechselt die Maschine automatisch in den Standby-Modus. Hinweis: Wenn der Trocken-Modus hinzugefügt wird, beginnt die Maschine den Trocken-Modus, nachdem der Waschzyklus abgeschlossen ist. Nachdem die Lufttrocknung beendet ist, wechselt die Maschine automatisch in den Standby-Modus.

1. Schalten Sie die Wasserversorgung aus, falls angeschlossen. Wenn der Wassertank längere Zeit nicht verwendet wird, wird empfohlen, den Wassertank durch drücken und halten der Trocken-Taste und der Power-Taste gleichzeitig für 3 Sekunden abzulassen.
2. Trennen Sie das Gerät von der Stromquelle.

HINWEIS: Wenn der Waschzyklus abgeschlossen ist, können sich einige Tröpfchen im Inneren des Geschirrspülers oder auf dem Geschirr befinden. Das ist normal.

REINIGUNG & WARTUNG

Filtersystem

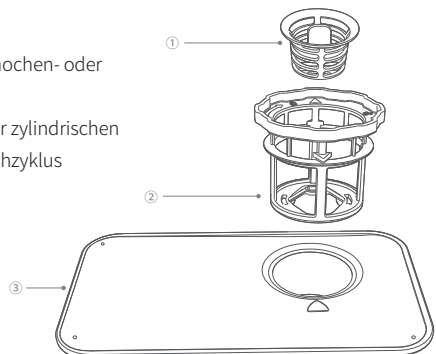
HINWEISE:

- Lassen Sie den Geschirrspüler niemals ohne Filter laufen. Eine unsachgemäße Platzierung der Filter kann die Leistung des Geschirrspülers beeinträchtigen und Geschirr und Besteck beschädigen.
- Stellen Sie sicher, dass die Filter richtig montiert sind.
- Das gesamte Filtersystem sollte einmal pro Woche gereinigt werden. Entfernen Sie Essensreste und reinigen Sie die Filter unter fließendem Wasser.
- Wenn Sie die Filter reinigen, schlagen Sie sie nicht gegen Oberflächen. Dies kann die Filter verfälschen und die Leistung Ihres Geschirrspülers beeinträchtigen.

Die Filter verhindern, dass größere Speisereste oder andere Gegenstände in die Pumpe gelangen. Reinigen Sie das Filtersystem regelmäßig, um beste Leistung und Ergebnisse zu erzielen.

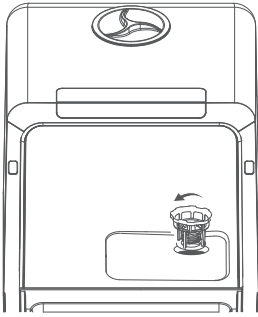
Das Filtersystem besteht aus einem Grobfilter, einem Flachfilter (Hauptfilter) und einem Mikrofilter (Feinfilter).

- ① Grobfilter: Dieser Filter fängt größere Gegenstände wie Knochen- oder Glasstücke ein, die den Abfluss blockieren könnten.
- ② Feinfilter: Dieser Filter fängt Boden- und Speisereste in der zylindrischen Basis auf und verhindert, dass der Boden während des Waschzyklus auf dem Geschirr neu positioniert wird.
- ③ Hauptfilter: Durch diesen Filter werden eingeschlossene Lebensmittel- und Bodenpartikeln durch einen speziellen Strahl am Sprüharm abgebaut und in den Abfluss gespült.

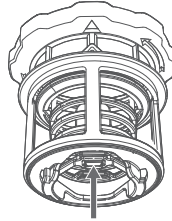


Um das Filtersystem zu entfernen

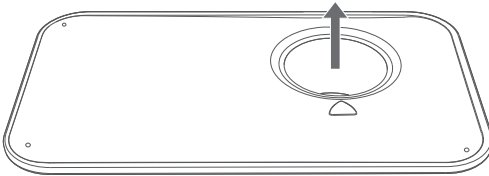
1. Drehen Sie den Feinfilter gegen den Uhrzeigersinn, um ihn aus der Maschine zu entfernen.



2. Drücken Sie die Laschen in der unteren Mitte des Feinfilters, um den Grobfilter vom Feinfilter zu trennen.

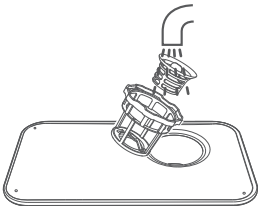


3. Entfernen Sie den Hauptfilter durch ziehen nach oben.

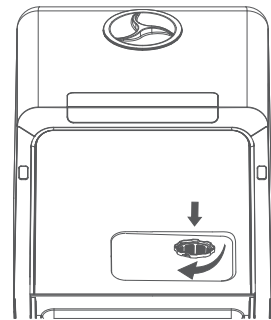


Zur Reinigung des Filtersystems

1. Spülen Sie das Filtersystem unter fließendem Wasser. Reinigen Sie den Grobfilter und den Feinfilter mit einer weichen Reinigungsbürste.



2. Um das Filtersystem neu zu installieren, positionieren Sie den Hauptfilter auf seinem Sitz und drücken Sie ihn nach unten, richten Sie die Laschen an der Unterseite des Grobfilters mit dem entsprechenden Loch des Feinfilters aus und setzen Sie dann den Grobfilter in den Feinfilter ein. Legen Sie dann den Feinfilter in seinen Sitz und drehen Sie ihn im Uhrzeigersinn, um ihn festzuziehen.

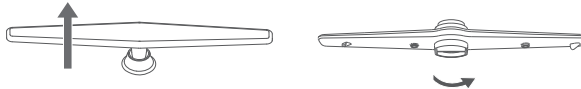


Sprüharme

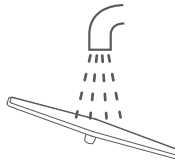
Die oberen und unteren Sprüharme können zur regelmäßigen Reinigung der Düsen leicht entfernt werden, um ein Verstopfen zu verhindern. Waschen Sie sie unter fließendem Wasser und ersetzen Sie sie vorsichtig in Ihren Sitzen, um sicherzustellen, dass die Drehbewegung in keiner Weise behindert wird.

Zum Entfernen und Reinigen der Sprüharme

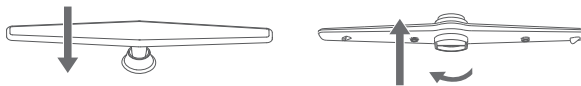
1. Öffnen Sie die Tür und nehmen Sie den Korb heraus.
2. Entfernen Sie den unteren Sprüharm, indem Sie den mittleren Teil davon greifen und nach oben ziehen. Schrauben Sie den oberen Sprüharm durch Drehen gegen den Uhrzeigersinn ab.



3. Waschen Sie die Arme unter fließendem Wasser und bürsten Sie jeden Sprüharm. Verwenden Sie Werkzeuge mit einer scharfen Spitze, z. B. eine Nadel, um Düsen bei Bedarf zu reinigen.



4. Ersetzen Sie den unteren Sprüharm am Sitz, indem Sie ihn nach unten drücken, bis er einrastet. Ersetzen Sie den oberen Sprüharm, indem Sie ihn im Uhrzeigersinn in seinen Sitz schrauben. Stellen Sie sicher, dass die Sprüharmbewegung nicht behindert wird, bevor Sie einen weiteren Zyklus ausführen.



Geschirrspüler Pflege und Wartung

Tägliche Wartung

- Das Bedienfeld und das Gehäuse sollten mit einem leicht feuchten Tuch gereinigt werden. Nach der Reinigung gründlich trocknen. Verwenden Sie niemals scharfe Gegenstände, Scheuerpads oder harte Reinigungsmittel an einem Teil der Spülmaschine. Verwenden Sie ein mit Wasser und etwas Essig angefeuchtetes Tuch, um Schmutz oder Flecken von der Oberfläche des Innenraums zu entfernen.
- Nach dem Waschen stark verschmutzter Ladungen können am Rand der Innenwand oder Tür des Geschirrspülers Ölflecken zurückbleiben. Verwenden Sie zum Reinigen der Türkante nur ein weiches, warmes, feuchtes Tuch. Vermeiden Sie es, Wasser in das Türschloss und elektrische Komponenten zu gelangen.
- Reinigen Sie die Türdichtungen regelmäßig mit einem feuchten Schwamm, um zu verhindern, dass Gerüche in der Türdichtung Speisereste einschleifen.

WARNUNG: Verwenden Sie niemals einen Sprühreiniger, um die Türverkleidung zu reinigen, da dies das Türschloss und die elektrischen Komponenten beschädigen kann. Schleifmittel oder Papiertücher sollten nicht verwendet werden, da die Gefahr von Kratzern oder Flecken auf der Edelstahloberfläche besteht.

Schutz der Spülmaschine vor dem Einfrieren

Bitte ergreifen Sie Frostschutzmaßnahmen im Winter. Führen Sie nach jedem Waschgang die folgenden Schritte durch:

1. Schalten Sie den Geschirrspüler aus. Trennen Sie den elektrischen Strom von der Spülmaschine.
2. Schalten Sie die Wasserversorgung aus und trennen Sie den Wassereinlassschlauch von der Rückseite des Geräts.
3. Lassen Sie das Wasser aus dem Einlassschlauch und dem Einlassanschluss ab (verwenden Sie eine Pfanne oder einen Eimer, um das Wasser aufzufangen).
4. Schließen Sie den Wassereinlassschlauch wieder an den Einlassanschluss an.
5. Entfernen Sie das Filtersystem und nehmen Sie das Wasser im Filterbereich (Wanne) mit einem Schwamm auf.

Wenn Ihr Geschirrspüler aufgrund von Frost oder Eis nicht mehr funktioniert, wenden Sie sich bitte an unser Service-Team.

Allgemeine Tipps

Um Ihren Geschirrspüler in einem guten Zustand zu halten, sollten folgende Vorschläge beachtet werden:

- Entfernen Sie vor der Reinigung oder Wartung immer den Stecker.
- **Schalten Sie nach jedem Waschen** die Wasserversorgung des Geräts aus und lassen Sie die Tür leicht angelehnt, damit keine Feuchtigkeit und Gerüche darin eingeschlossen werden.
- **Wenn der Geschirrspüler längere Zeit nicht verwendet wird** - Wird empfohlen, einen Waschzyklus mit leerem Geschirrspüler durchzuführen, den Geschirrspüler auszuschalten, den Stecker aus der Steckdose zu entfernen, die Wasserversorgung auszuschalten, den Wassertank abzulassen und die Gerätetür leicht offen zu lassen. This will help the door seals to last longer and prevent odors.
- **Gerät bewegen** - Wenn das Gerät bewegt werden muss, versuchen Sie, es in einer vertikalen Position zu halten. Transportieren Sie das Gerät nicht seitlich oder verkehrt herum.
- **Wasseranschluss** - Schließen Sie den Anschluss an Ihren Wasserhahn an und stellen Sie sicher, dass er fest an seinem Platz befestigt ist. **Bitte Beachten Sie:** Wenn der mitgelieferte Wassereinlassschlauch nicht zu Ihrem Wasserhahn passt, müssen Sie möglicherweise einen Wasserhahn-Adapter von einem Sanitärversorgungshersteller kaufen. Wenn Sie sich nicht sicher sind, was zu tun ist, wenden Sie sich bitte an unser Service-Team.
- **Wasserabfluss** - Der Ablaufschlauch muss ordnungsgemäß montiert sein, um Wasserlecks zu vermeiden. Stellen Sie sicher, dass der Wasserablassschlauch nicht geknickt oder in irgendeiner Weise behindert ist. Wenn das Waschbecken höher ist als die Oberfläche, auf der Sie Ihren Geschirrspüler aufgestellt haben, muss überschüssiges Wasser in einen Eimer abgelassen werden, der sich in einer niedrigeren Position als der Geschirrspüler befindet. Wenn Sie eine Ablaufschlauchverlängerung benötigen, verwenden Sie unbedingt einen ähnlichen Ablaufschlauch, und dass es nicht länger als 3,6 m lang ist. Andernfalls könnte die Reinigungswirkung des Geschirrspülers reduziert werden.

FEHLERCODE

Codes	Summertorn	Fehlertyp	Lösungen
☹ (Wasserman gel Symbol blinkt rot)	10 Pieptöne (einmal pro Sekunde)	Ein Fehler im Wasserzufluss	<ol style="list-style-type: none"> 1. Stellen Sie sicher, dass der Wasserhahn angeschlossen und eingeschaltet ist oder der Wassertank voll ist. 2. Starten Sie das Gerät neu. Wenn das Symbol immer noch rot blinkt, wenden Sie sich bitte an das NANOVA Support-Team.
"E2"	5 Pieptöne alle 2 Sekunden	Entleerungsfehler	<ol style="list-style-type: none"> 1. Überprüfen Sie den Ablaufschlauch und stellen Sie sicher, dass der Schlauch nicht geknickt oder verstopft ist. 2. Schalten Sie das Gerät aus und prüfen Sie, ob das Filtersystem oder der Ablaufschlauch blockiert ist. 3. Stellen Sie sicher, dass alle Schläuche nicht blockiert sind.
"E3"		Überlauf	<ol style="list-style-type: none"> 1. Lassen Sie den Wassertank manuell ab: halten Sie den Waschzyklus an und halten Sie die Trocken-Taste und die Power-Taste 3 Sekunden lang gleichzeitig gedrückt. Starten Sie das Gerät neu. 2. Kippen Sie die Maschine auf 30-45 Grad nach hinten und halten Sie sie mindestens 2 Minuten lang in dieser Position, damit Wasser aus der Maschine herausfließen kann. Starten Sie das Gerät neu.
"E4"	5 Pieptöne alle 2 Sekunden	Thermistorfehler	Starten Sie das Gerät neu. Wenn der Fehlercode weiterhin besteht, wenden Sie sich bitte an das NANOVA Support-Team.
"E5"		Interner Kommunikationsfehler	
"E6"		Ausfall des Heizungssystems	
"E7"		Druckschalter-Ausfall	

*Bitte beachten Sie, dass "St" kein Fehlercode ist. Es zeigt die optionale 72-stündige intermittierende Belüftung an.

FEHLERBEHEBUNG

Probleme		Mögliche Ursachen	Lösungen
TECHNISCHE PROBLEME	Geschirrspüler startet nicht.	Die Sicherung ist durchgebrannt oder der Leistungsschalter ist ausgelöst.	Ersetzen Sie die Sicherung oder setzen Sie den Leistungsschalter zurück. Entfernen Sie alle anderen Geräte, die denselben Stromkreis mit dem Geschirrspüler teilen.
		Stromversorgung ist nicht eingeschaltet.	Stellen Sie sicher, dass das Netzkabel ordnungsgemäß in die Steckdose eingesteckt ist. Stellen Sie sicher, dass der Geschirrspüler eingeschaltet und die Tür sicher geschlossen ist.
		Wasserknappheit.	Öffnen Sie den Wasserhahn oder geben Sie Wasser in den Tank, bis sich die Wassermangelanzeige ausschaltet.
		Geschirrspüler Tür ist nicht richtig geschlossen.	Stellen Sie sicher, dass die Tür vollständig geschlossen ist.

Probleme		Mögliche Ursachen	Lösungen
TECHNISCHE PROBLEME	Unzureichender Wasserfluss.	Es gibt eingeschlossene Luft im Wasserrohrsystem der Maschine.	Schütteln Sie die Maschine 5-6 mal leicht, um die eingeschlossene Luft abzulassen.
	Wasser wird nicht aus der Spülmaschine gepumpt.	Knicke im Ablaufschlauch.	Überprüfen Sie den Ablaufschlauch.
		Filtersystem ist verstopft.	Überprüfen Sie den Grobfilter.
		Küchenspüle ist verstopft.	Überprüfen Sie Ihre Küchenspüle, um sicherzustellen, dass es abläuft. Wenn die Spüle nicht abläuft, wenden Sie sich an einen Klempner.
Kann keinen Waschzyklus auswählen.	Der Geschirrspüler ist in Betrieb.	Wählen Sie einen Zyklus erneut aus, indem Sie den laufenden Zyklus anhalten, oder warten Sie, bis der laufende Zyklus beendet ist.	
ALLGEMEINE PROBLEME	Seifenlauge in der Wanne.	Falsches Waschmittel.	<ul style="list-style-type: none"> • Verwenden Sie nur spezielle Waschmittel für Geschirrspülmaschinen. • Öffnen Sie den Geschirrspüler und entfernen Sie den Schaum von Hand. • Gießen 1,3 Gallonen Wasser in Maschine, oder öffnen Sie den angeschlossenen Wasserhahn, wählen Sie ein beliebiges Programm und lassen Sie es laufen für 1-2 Minuten. Der Schaum wird dann abgelassen. Wiederholen Sie den Vorgang bei Bedarf. Hinweis: Wenn der Wassertank nicht voll ist und kein Wasserhahn angeschlossen ist, kann die Maschine nicht aktiviert werden.
	Innenraum mit gebeizter Wanne.	Waschmittel mit Farbstoff wurde verwendet.	Verwenden Sie keine Waschmittel mit Farbstoffen.
	Verfärbung von Plastikgeschirr.	Waschtemperatur ist zu hoch.	Wählen Sie einen Waschzyklus mit niedrigeren Temperaturen.
	Weißer Film auf der Innenseite.	Hartwassermineralien.	Dieses Problem ist in Bereichen mit hartem Wasser schwer zu vermeiden. Verwenden Sie zum Reinigen des Innenraums einen feuchten Schwamm mit Geschirrspülmittel und Gummihandschuhen. Verwenden Sie niemals einen anderen Reiniger als Geschirrspülmittel, da die Gefahr von Schäumen oder Laugen besteht.
	Es gibt Rostflecken auf Besteck.	Die betroffenen Gegenstände sind nicht korrosionsbeständig.	Vermeiden Sie das Waschen von Gegenständen, die in der Spülmaschine nicht korrosionsbeständig sind.
LÄRM	Klopfgeräusche in der Wanne beim Laufen.	Der Sprüharm klopft gegen einen Gegenstand im Korb.	Unterbrechen Sie das Programm und ordnen Sie Gegenstände an, die die Sprüharme behindern.
	Rasselndes Geräusch in der Wanne beim Laufen.	Gegenstände wurden nicht sicher in den Korb gelegt.	Unterbrechen Sie den Waschzyklus und sichern Sie die Gegenstände im Korb.
	Klopfgeräusche in den Wasserleitungen.	Dies kann durch die Installation vor Ort oder den Querschnitt der Rohrleitungen verursacht werden.	Dies hat keinen Einfluss auf die Spülmaschine-Funktion. Wenn Sie sich nicht sicher sind, wenden Sie sich an einen qualifizierten Klempner.

Probleme		Mögliche Ursachen	Lösungen
UNZUFRIEDENES WASCH ERGEBNIS	Geschirr ist nicht gereinigt.	Geschirr wurde nicht richtig geladen.	Anweisungen finden Sie unter "Laden Sie den Spülmaschinenkorb".
		Der Waschzyklus war nicht stark genug.	Wählen Sie einen intensiveren Waschzyklus. Einzelheiten finden Sie in der Waschzyklustabelle.
		Gegenstände blockieren den Weg der Sprüharme.	Ordnen Sie die Gegenstände so an, dass sich die Sprüharme frei drehen können.
		Das Filtersystem ist nicht sauber oder nicht korrekt installiert.	Reinigen und/oder passen Sie das Filtersystem richtig an.
		Es wurde nicht genug Waschmittel abgegeben.	Verwenden Sie mehr Waschmittel oder ändern Sie den Waschlösungstyp.
	Trübung auf Glaswaren.	Kombination von weichem Wasser und nicht genug Waschmittel.	Verwenden Sie weniger Waschmittel, wenn Sie weiches Wasser haben, und wählen Sie den Glaszyklus zum Waschen der Glaswaren.
	Pudding links auf dem Geschirr.	Proteinverfestigung.	Waschen Sie das Geschirr mit Pudding von Hand.
	Schwarze oder graue Flecken auf dem Geschirr.	Aluminium-Utensilien haben gegen Geschirr gerieben.	Überprüfen Sie, ob das Geschirr richtig geladen ist und nicht aneinander reibt.
	Waschmittel links in Spender.	Geschirr blockiert den Waschmittelspender.	Überprüfen Sie, ob das Geschirr ordnungsgemäß geladen ist.
UNZUFRIEDENES TROCKEN ERGEBNIS	Das Geschirr trocknet nicht.	Unsachgemäßes Laden.	Überprüfen Sie, ob das Geschirr ordnungsgemäß geladen ist.
		Ungeeigneter Waschzyklus.	Wählen Sie einen geeigneten Waschzyklus.
		Schlechter Trocknungseffekt für Kunststoff-/ Holzgeschirr.	Trocknen Sie Geschirr von Hand.
		Trocknungszyklus ist noch nicht beendet.	Warten Sie, bis der Trocknungszyklus abgeschlossen ist.
	Besteck hat eine minderwertige Beschichtung.	Die Wasserablauf ist bei diesen Arten von Gegenständen schwieriger. Diese Arten von Besteck und Geschirr sind nicht zum Waschen in der Spülmaschine geeignet	
Wassertropfen innerhalb der Maschine.	Nicht genug Trocknungszeit.	Wählen Sie den Trocken-Modus, um mehr Lufttrocknungszeit hinzuzufügen.	

GARANTIE

NANOVA bietet eine begrenzte 12-monatige Garantie sowie lebenslangen technischen Support für unseren Geschirrspüler.

Die Garantie gilt nicht, wenn Schäden durch andere Faktoren verursacht werden, unter anderem: (a) normale Abnutzung; (b) Missbrauch, Misshandlung, Unfall oder Nichtbeachtung der Bedienungsanleitung; (c) Einwirkung von Flüssigkeit oder Eindringen von Fremdpartikeln; (d) Wartung oder Modifikationen des Produkts mit Ausnahme von NANOVA; (e) gewerbliche oder Nicht-Haushaltszwecke.

Dies sind unsere allgemeinen Bedingungen für den Garantieservice, aber wir fordern unsere Kunden immer auf, uns mit jedem Problem zu kontaktieren, unabhängig von den Garantiebedingungen.

KONTAKTIEREN SIE UNS

Website: www.nanovastore.com

E-Mail: service@nanovastore.com

FRANÇAIS

Avant d'utiliser ce lave-vaisselle compact, veuillez lire attentivement le présent manuel de l'utilisateur. Ce manuel concerne le lave-vaisselle de comptoir compact NANOVA (Modèle: D1).

AVERTISSEMENT: Pour réduire les risques de blessures, l'utilisateur doit lire et bien comprendre ce manuel avant d'utiliser ce lave-vaisselle.

Conservez ce manuel de l'utilisateur pour toute référence ultérieure.

AVERTISSEMENT!

Lorsque vous utilisez votre lave-vaisselle, suivez les précautions ci-dessous:

INFORMATIONS DE SÉCURITÉ IMPORTANTES

ATTENTION!

Lorsque vous utilisez votre lave-vaisselle, suivez les précautions ci-dessous:

- Cet appareil est destiné à être utilisé dans un environnement intérieur tel que:
 - les cuisines du personnel de magasins, bureaux et autres lieux de travail;
 - par les clients des hôtels, motels et autres lieux résidentiels;
 - les fermes;
 - les facilités associées aux chambres d'hôtes;
 - les véhicules de loisirs, bateaux, camping-cars et autres endroits où les appareils électriques sont autorisés.

AVERTISSEMENT!

- Cet appareil peut être utilisé par des enfants âgés de 8 ans et plus, par des personnes ayant des capacités physiques, sensorielles ou mentales réduites et par des personnes manquant d'expérience et de connaissances pour autant qu'elles bénéficient d'un contrôle et qu'elles aient reçu de manière sûre des instructions concernant l'utilisation de l'appareil et qu'elles comprennent les risques encourus. Les enfants ne doivent pas jouer avec l'appareil. Le nettoyage et l'entretien ne peuvent pas être effectués par des enfants sans surveillance (pour EN 60335-1).
- Le matériel d'emballage peut être dangereux pour des enfants.
- Pour vous protéger contre les risques d'électrocution, ne plongez pas l'appareil, le cordon ou la fiche dans l'eau ou tout autre liquide.
- Veuillez débrancher l'appareil avant de le nettoyer et d'en effectuer l'entretien.
- Pour le nettoyer, utilisez un chiffon doux imbibé de savon non agressif, puis utilisez un chiffon sec pour l'essuyer à nouveau.
- Ne l'utilisez pas à mauvais escient, ne vous asseyez pas dessus, ne montez pas sur la porte ou sur le panier à vaisselle du lave-vaisselle.
- Ne faites pas fonctionner votre lave-vaisselle tant que tous les panneaux de son habillage ne sont pas correctement en place.
- Il est dangereux d'ouvrir la porte pendant que le lave-vaisselle est en marche, car il y a un risque de projection d'eau chaude.
- Ne posez pas d'objets lourds sur la porte et ne vous appuyez pas dessus lorsqu'elle est ouverte. L'appareil pourrait basculer vers l'avant.
- Lorsque vous chargez des articles à laver, vous devez :
 - 1) Placer les ustensiles coupants de telle sorte qu'ils ne puissent endommager les joints de porte.
 - 2) Charger les couteaux et autres ustensiles à pointes acérées dans le panier à couverts pointes en bas ou en position horizontale.
- Vérifiez qu'il ne reste plus de détergent en poudre après la fin du cycle de lavage.
- Ne lavez pas d'articles en plastique à moins qu'ils ne portent la mention « va au lave-vaisselle » ou l'équivalent.
- Pour les articles en plastique non marqués, vérifiez les recommandations du fabricant.

- N'utilisez que des détergents et des produits de rinçage recommandés pour une utilisation dans un lave-vaisselle automatique.
- N'utilisez jamais de savon, de détergent pour lessive ou de détergent pour le lavage des mains dans votre lave-vaisselle.
- La porte ne doit pas rester ouverte, car cela pourrait vous faire trébucher.
- Si le cordon d'alimentation est endommagé, il doit être remplacé par le fabricant ou le SAV ou une personne qualifiée équivalente afin d'éviter tout danger.
- Lors de l'installation, le câble d'alimentation ne doit pas être excessivement ou dangereusement croqué ou aplati.
- Ne modifiez pas les commandes.
- L'appareil doit être raccordé au robinet d'eau principal à l'aide de flexibles neufs. Les anciens ne doivent pas être réutilisés.
- Cet appareil peut contenir un maximum de 2 couverts (i.e. 20 items).
- La pression d'eau d'entrée maximale autorisée est de 1 MPa.
- La pression d'eau d'entrée minimale autorisée est de 0,04 MPa.

INSTRUCTIONS DE MISE À LA TERRE

- Cet appareil doit impérativement être mis à la terre. En cas de dysfonctionnement ou de panne, la mise à la terre réduira le risque de choc électrique en fournissant une voie de sortie de moindre résistance au courant électrique. Cet appareil est équipé d'une fiche avec conducteur de terre. EN AUCUN CAS, ne coupez ni retirez la borne de mise à la terre du cordon d'alimentation.
- La fiche doit être branchée dans une prise appropriée installée et mise à la terre conformément à tous les codes et règlements locaux.
- Une connexion incorrecte du conducteur de mise à la terre de l'équipement peut entraîner un risque d'électrocution.
- Vérifiez auprès d'un électricien qualifié ou d'un représentant du service si vous n'êtes pas certain que l'appareil est correctement mis à la terre.
- Ne modifiez pas la fiche fournie avec l'appareil si elle ne rentre pas dans la prise.
- Faites installer une prise appropriée par un électricien qualifié.

ÉLIMINATION DES DÉCHETS

- Les matériaux d'emballage de cet appareil sont recyclables. Jetez l'emballage dans un conteneur de collecte de déchets approprié pour le recycler.
- Il est interdit de jeter l'appareil avec les ordures ménagères. Élimination correcte de ce produit: le symbole imprimé sur le produit ou son emballage indique que ce produit ne doit pas être traité comme un déchet ménager. Au lieu de cela, il doit être apporté à un point de collecte des déchets approprié pour le recyclage des équipements électriques et électroniques. En vous assurant que ce produit est éliminé correctement, vous aiderez à prévenir les conséquences négatives potentielles pour l'environnement et la santé humaine, qui pourraient autrement être causées par une manipulation inappropriée des déchets de ce produit.
- Pour plus d'informations sur le recyclage de ce produit, veuillez contacter votre mairie, votre service d'élimination des déchets ménagers ou le magasin où vous avez acheté le produit.

ATTENTION!

- Pour l'élimination de l'emballage et de l'appareil, veuillez vous rendre dans un centre de recyclage. Au préalable, coupez le câble d'alimentation et rendez le dispositif de fermeture de porte inutilisable.
- Le carton des emballages est fabriqué à partir de papier recyclé et il doit être jeté lors de la collecte des vieux papiers pour être recyclé.

- En veillant à ce que ce produit soit éliminé correctement, vous aiderez à prévenir les conséquences négatives potentielles pour l'environnement et la santé humaine, qui pourraient autrement être causées par un traitement inapproprié des déchets de ce produit.
- Pour plus d'informations sur le recyclage de ce produit, veuillez contacter votre mairie ou votre service d'élimination des déchets ménagers.
- Ne jetez pas ce produit avec les déchets municipaux non triés. La collecte de ces déchets doit se faire séparément pour un traitement spécial.

CONFORMITÉ ÉLECTRIQUE

Regardez l'étiquette signalétique pour connaître la tension nominale et connectez le lave-vaisselle à l'alimentation électrique appropriée. Si le cordon d'alimentation est endommagé, il doit être remplacé par le fabricant, le SAV ou une personne qualifiée équivalente afin d'éviter tout danger.

CONNEXION ÉLECTRIQUE

Assurez-vous que la tension et la fréquence du courant correspondent à celles indiquées sur la plaque signalétique du lave-vaisselle. Insérez la fiche uniquement dans une prise électrique correctement mise à la terre. Si vos prises électriques ne sont pas adaptées à la fiche, remplacez les prises plutôt que d'utiliser un adaptateur.

PRÉCAUTIONS DE SÉCURITÉ

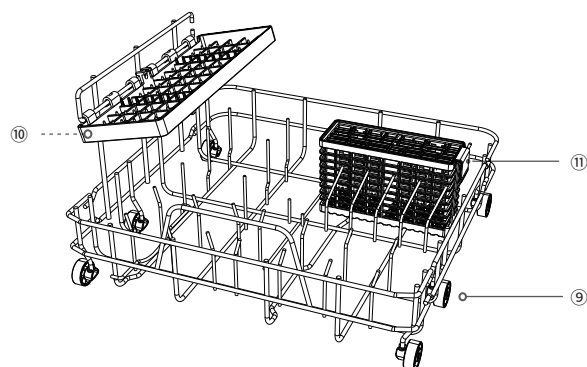
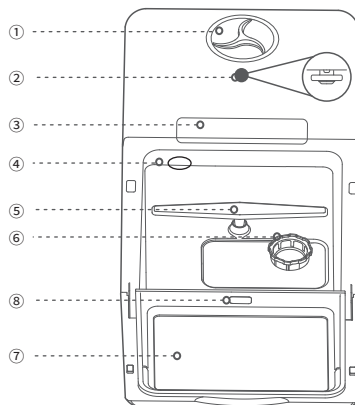
- **NE PAS UTILISER** cet appareil si des pièces manquent ou sont cassées.
- **NE PAS UTILISER** cet appareil si toutes les pièces ne sont pas correctement installées.
- **NE PAS DÉPOSER** d'objets lourds sur le dessus du lave-vaisselle.
- **UTILISER EXCLUSIVEMENT** du détergent conçu pour les lave-vaisselle automatiques. Le détergent pour lave-vaisselle est corrosif.
- Maintenez le détergent pour lave-vaisselle hors de portée des enfants.
- Il est dangereux d'ouvrir la porte pendant que le lave-vaisselle est en marche, car l'eau chaude pourrait vous ébouillanter.
- Laissez refroidir le lave-vaisselle avant de monter ou de démonter des pièces et avant de le nettoyer.
- **NE PAS FAIRE FONCTIONNER** cet appareil avec un cordon ou une prise endommagés, ou si l'appareil fonctionne mal ou est endommagé de quelque manière que ce soit.
- Il n'est pas recommandé d'utiliser des accessoires autres que ceux fournis par le fabricant. L'utilisation d'accessoires peut provoquer des blessures.
- **NE PAS UTILISER** de rallonge ou d'adaptateurs avec cet appareil.
- **NE PAS UTILISER** l'appareil à des fins autres que celles pour lesquelles il a été conçu.
- **NE PAS PLACER** l'appareil sur ou à proximité d'une plaque de cuisson à gaz ou électrique.
- **NE PAS LAISSER** le cordon d'alimentation pendre du bord d'une table ou d'un comptoir, ni être en contact avec des surfaces chaudes.
- **Pour déconnecter**, tourner n'importe quelle commande sur "OFF", puis débrancher la fiche de la prise murale.

FAITES CONNAISSANCE AVEC VOTRE LAVE-VAISSELLE

IMPORTANT: Pour obtenir les meilleures performances de votre lave-vaisselle, lisez toutes les instructions d'utilisation avant la première utilisation.

Caractéristiques du lave-vaisselle

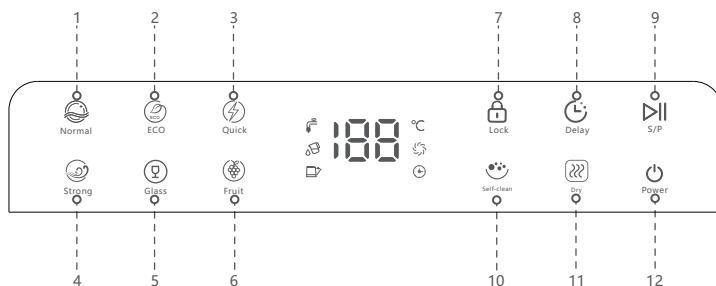
- ① Réservoir d'eau
- ② Bras d'aspersion ou gicleur supérieur
- ③ Tableau de bord
- ④ Voyant LED
- ⑤ Bras d'aspersion ou gicleur inférieur
- ⑥ Système de filtration
- ⑦ Porte en verre
- ⑧ Distributeur de détergent
- ⑨ Panier à vaisselle
- ⑩ Étagère
- ⑪ Panier à couverts



Lampe LED intégrée

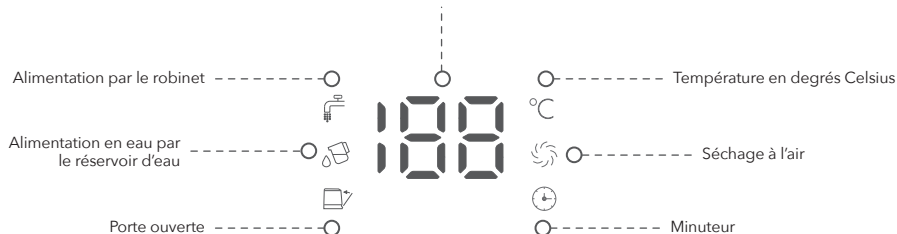
L'éclairage LED intégré vous permet de vérifier clairement l'état de fonctionnement du lave-vaisselle. Lorsque la porte vitrée est ouverte, la lampe s'allume automatiquement et lorsque la porte vitrée est fermée, elle s'éteint automatiquement dans les 2 minutes. Si la porte reste ouverte plus de 5 minutes, l'éclairage s'éteindra automatiquement. Durant les 10 dernières minutes du processus de séchage, l'éclairage LED s'allumera, indiquant que le séchage est presque terminé.

Tableau de bord



N°	Icône	Bouton / Voyant	Fonction
1		Normal	Lavage de vaisselle normalement souillée comme les plats, les assiettes, les verres et autres ustensiles de table.
2		ECO	Convient pour laver les assiettes légèrement souillées.
3		Quick (Rapide)	Un lavage plus court pour de la vaisselle légèrement souillée.
4		Strong (Puissant)	Convient pour laver les biberons, ou la vaisselle grasse et encrassée, ou encore la vaisselle d'animaux domestiques.
5		Glass (Verre)	Convient à la verrerie et aux objets fragiles.
6		Fruit	Convient pour laver la surface dure de certains fruits à l'eau, à la température de la pièce. Inutile d'ajouter du détergent.
7		Child Lock (Verrouillage Enfant)	Appuyez sur ce bouton et maintenez-le enfoncé pendant 3 secondes pour activer le verrouillage enfant.
8		Delay (Retardement)	Appuyez sur cette touche pour programmer un cycle de lavage qui commencera plus tard.
9		Start/Pause (Démarrage/Pause)	Appuyer sur ce bouton pour démarrer ou interrompre momentanément un cycle de lavage.
10		Self-Clean (Auto-Nettoyage)	Convient pour l'auto-nettoyage régulier pour maintenir les performances de lavage de la vaisselle.
11		Dry (Séchage)	60 minutes de séchage à l'air chaud et 72 heures de ventilation intermittente automatique pour éliminer les odeurs et faciliter le stockage. "St" s'affichera pendant le stockage ventilé. (Appuyez et maintenez le bouton d'alimentation pendant 3 secondes pour annuler la ventilation.)
12		Power (Interrupteur)	Appuyer et maintenir le bouton enfoncé 3 secondes pour allumer ou éteindre le lave-vaisselle.

Affichage de température, durée, codes d'erreur etc.



INSTALLATION

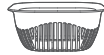
Liste des pièces



Flexible alimentation x 1
(154 cm / 61 in)



Évacuation x 1
(154 cm / 61 in)



Panier à fruits x 1



Mesure x 1

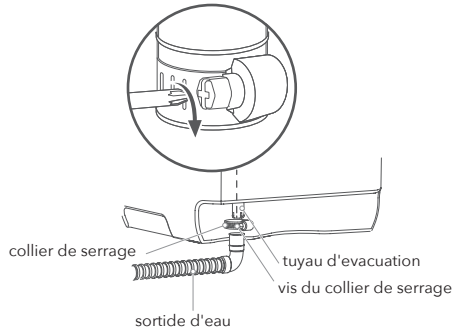


Collier de serrage x 1



Panier à couverts x 1

Raccordement du tuyau de vidange au lave-vaisselle



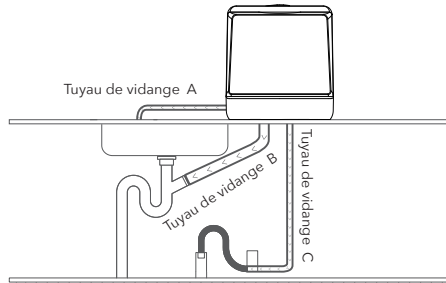
REMARQUE Le tuyau de vidange du lave-vaisselle est une partie essentielle de la machine, il doit donc être installé correctement pour vidanger l'eau et effectuer sa fonction correctement.

1. Connectez le tuyau de vidange à la sortie d'eau située à l'arrière de la machine.
2. Serrez la vis du collier de serrage du tuyau avec un tournevis.



Raccordement du tuyau de vidange à un égout

1. Il y a trois options pour le raccordement à l'égout, A (évier), B (siphon de l'évier) et C (tuyau d'évacuation). Pour les options B et C, il est nécessaire de percer un trou sur ou sous le comptoir afin que le tuyau puisse traverser le comptoir.

2. Le tuyau de vidange doit être bien adapté à son évacuation (comme un évier, un seau, etc.) pour éviter les fuites d'eau. Assurez-vous que le tuyau de vidange n'est pas croqué ou bloqué de quelque manière que ce soit.




Ajouter de l'eau au lave-vaisselle

REMARQUE: Cette machine peut être alimentée en eau de deux manières: à partir d'un robinet  et à partir du réservoir d'eau intégré .



Alimentation en eau du robinet

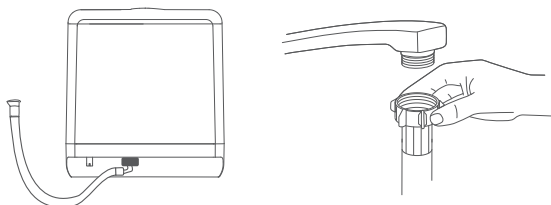
1. Retirez le bouchon de gel de silice de l'entrée d'eau située à l'arrière de la machine. Ensuite, fixez une extrémité du tuyau d'arrivée d'eau à l'entrée d'eau de la machine.
2. Connectez l'autre extrémité du tuyau d'arrivée d'eau à votre robinet et assurez-vous qu'il est bien en place.

Remarque: Si le tuyau d'arrivée d'eau livré ne convient pas à votre robinet, vous devez peut-être acheter un adaptateur pour votre robinet auprès d'un magasin de matériel sanitaire. Si vous ne savez pas quoi faire, n'hésitez pas à contacter notre service après-vente.

3. Allumez le lave-vaisselle et appuyez sur le bouton Mode pour choisir un cycle de lavage. Ensuite, appuyez sur le bouton Démarrage / Pause pour démarrer le cycle de lavage. Le panneau affichera un symbole blanc , ce qui signifie que le robinet est correctement connecté et ouvert.

REMARQUES

1. En cas d'alimentation en eau d'un robinet, **NE** débranchez **PAS** le robinet. Sinon, le cycle de lavage ne peut pas se terminer.
2. Un voyant **rouge** clignotant de manque d'eau   signifie que cette machine n'est pas connectée à un robinet, que le robinet n'est pas ouvert et/ou que le réservoir d'eau n'est pas plein.






Alimentation en eau par le réservoir d'eau

Rappel: Si la machine est utilisée pour la première fois ou qu'elle n'a pas été utilisée depuis longtemps, le débit d'eau pourrait être insuffisant lorsque le réservoir d'eau est rempli en raison de l'air emprisonné dans le système d'alimentation en eau de la machine, ce qui empêche l'eau de s'écouler à l'intérieur de la machine. Dans ce cas, vous pouvez secouer légèrement la machine 5 à 6 fois pour évacuer tout l'air emprisonné. Cela assurera un écoulement régulier de l'eau.

1. Ouvrez le couvercle du réservoir d'eau et versez environ 5 litres (1,3 US gallons) d'eau, soit environ 3 mesures. Lorsque le réservoir est plein, 3 bips se font entendre. Il n'est pas nécessaire d'ajouter plus d'eau pendant le processus de lavage.

REMARQUE: Pour éviter de perdre le couvercle du réservoir, fixez-le au réservoir d'eau.

2. Si le réservoir d'eau n'est pas plein lorsque vous démarrez un cycle de lavage, une icône de manque d'eau clignotant en rouge  s'affichera sur le tableau de bord et l'avertisseur sonore émettra un bip. Lorsque le réservoir d'eau est plein, une icône blanche de mode de réservoir d'eau  apparaît.
3. Avant le démarrage de tout cycle de lavage, si la machine détecte que le réservoir d'eau est plein, elle utilisera automatiquement l'alimentation en eau du réservoir.
4. Pour vider le réservoir d'eau manuellement, mettez le cycle de lavage en pause et appuyez et maintenez simultanément enfoncés les boutons Séchage et Alimentation pendant 3 secondes. Si le réservoir d'eau n'est pas utilisé pendant période prolongée, il est recommandé de vider le réservoir d'eau.
5. Le système vérifiera automatiquement toutes les alimentations en eau. Si le voyant rouge de manque d'eau  apparaît, vous devrez remplir le réservoir d'eau ou bien ouvrir le robinet. Une fois le réservoir d'eau rempli, la machine démarrera automatiquement le cycle de lavage que vous aurez sélectionné sans avoir besoin d'appuyer à nouveau sur le bouton Démarrage / Pause. Lorsque le robinet est utilisé pour l'alimentation en eau, il faut appuyer à nouveau sur le bouton Démarrage / Pause pour démarrer le cycle de lavage après avoir ouvert le robinet.

REMARQUE: En cas de manque d'eau, si vous appuyez 5 fois sur le bouton Démarrage / Pause et qu'il n'y a toujours pas d'alimentation correcte en eau, la machine entrera automatiquement en mode veille. Ou, s'il n'y a pas de manipulation de l'utilisateur ou d'alimentation en eau pendant 10 minutes, la machine entrera automatiquement en mode veille.

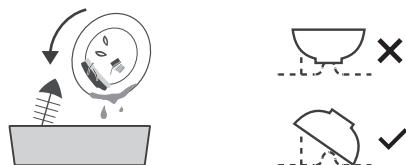
DONNÉES TECHNIQUES

Modèle	D1
Voltage/Fréquence	110-120 V/60 Hz (US) Modèle 220 V/60 Hz (UE)
Capacité	2 couverts
Puissance	950 W
Pression d'entrée	0,04 -1 MPa (5,68 - 142,20 PSI ou 0,35 - 10 kg p. cm ²)
Capacité réservoir d'eau	5 L (1,3 US gallons)
Mode séchage	à air chaud par élément PTC (Coefficient de Température Positive)
Niveau de bruit	60 dB
Classe énergétique	F
Poids du produit	13 kg (28,7 lbs)
Dimensions	428 × 425 × 458 mm (16,86 × 16,75 × 18,05 in)

MODE D'EMPLOI

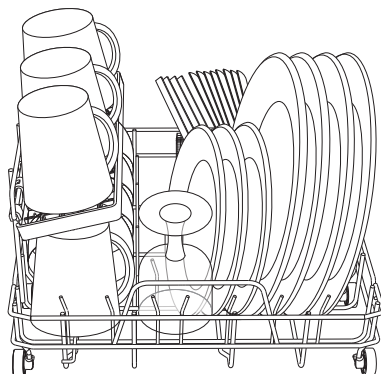
Chargement du panier du lave-vaisselle

- Enlevez les plus gros restes d'aliments séchés avant de mettre la vaisselle dans le lave-vaisselle.



• Empilez les tasses, les verres et les bols en pente vers le bas, afin que l'eau puisse pénétrer à l'intérieur et s'écouler. Insérez les assiettes le dessus vers le bas dans les râteliers et orientez-les vers le bras gicleur pour vous assurer que l'eau passe à travers pour un nettoyage et rinçage corrects. Chargez les couteaux, les fourchettes et les cuillères avec les manches vers le haut et inclinez-les autant que possible pour éviter qu'il n'y ait des dépôts ou que vous ne vous blessiez lorsque vous les sortez du lave-vaisselle. Vous pouvez vous référer à l'illustration sur le chargement du lave-vaisselle.

Pour des performances de nettoyage optimales, suivez ces directives de chargement:



Placez les objets dans le lave-vaisselle de la manière suivante:

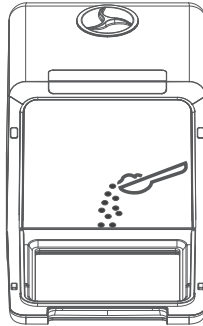
- Grattez toutes les plus grosses particules d'aliments.
- Ramollissez et/ou faites tremper les résidus d'aliments brûlés dans les casseroles.
- Il n'est pas nécessaire de rincer toute la vaisselle sous l'eau courante.
- Placez la vaisselle dans le lave-vaisselle de la manière suivante:
 - Les articles incurvés ou avec des évidements doivent être chargés en biais afin que l'eau puisse s'écouler.
 - Les articles creux tels que tasses, verres, casseroles, etc. avec l'ouverture vers le bas,
 - Toute la vaisselle et les couverts doivent être placés de manière à ce que les bras gicleurs puissent tourner librement pendant le lavage.
- Les couteaux et autres ustensiles pointus doivent être chargés dans le panier de rangement ou le panier à couverts avec leurs pointes vers le bas ou placés en position horizontale afin qu'ils n'endommagent pas l'intérieur du lave-vaisselle.
- Les très petits articles ne doivent pas être lavés au lave-vaisselle, car ils pourraient tomber.
- Vaisselle et couverts ne doivent pas s'imbriquer, ni s'empiler ni s'appuyer les uns contre les autres.
- Pour éviter d'endommager les verres, assurez-vous qu'ils ne se touchent pas.
- Ne surchargez pas le lave-vaisselle. Positionnez la vaisselle et les ustensiles de cuisine de manière à ce qu'ils ne soient pas déplacés par le jet d'eau.

Ne convient pas pour:

- Les couverts avec manches en bois ou en nacre
- Les articles en plastique qui ne résistent pas à la chaleur
- Les couverts avec collage ou la porcelaine collée non résistants à la chaleur
- Les articles en étain ou en cuivre
- Le cristal fragile
- Les articles en acier ou en argent sujets à la rouille ou à la décoloration
- Les articles en bois
- Les articles vitrifiés qui peuvent s'estomper
- La vaisselle peinte

Utilisation de détergent

Les dosettes, les détergents liquides ou en poudre sont tous acceptables. Ajoutez du détergent dans le distributeur de détergent situé au bas de la porte vitrée (voir la figure ci-dessous).



AVERTISSEMENT: N'utilisez que des détergents spécialement conçus pour les lave-vaisselle. N'utilisez pas de produits de rinçage. Le détergent pour lave-vaisselle est corrosif! Conservez-le hors de portée des enfants!

- **N'AJOUTEZ PAS** de détergent lors de l'utilisation du cycle de lavage des fruits.
- L'utilisation du cycle de lavage « Normal » combiné avec des détergents concentrés faiblement alcalins avec des enzymes naturelles réduit la pollution et est bonne pour votre vaisselle.
- Le compartiment à détergent doit être rempli avant le début de chaque cycle de lavage.
- Généralement, une cuillère à soupe de détergent suffit pour une charge de lavage normale.
- Ajoutez toujours le détergent juste avant de démarrer le lave-vaisselle. Sinon, il pourrait devenir humide et ne pas se dissoudre correctement.

Sélection du cycle de lavage

Cycle de lavage préprogrammé

Le tableau ci-dessous indique quel cycle de lavage préprogrammé doit être utilisé pour chaque tâche de lavage et la quantité de détergent nécessaire.

Cycle de lavage	Description	Étapes	Température	Détergent	Durée du lavage	Durée du séchage air
Normal	Normal Lavage de vaisselle normalement sale	Lavage eau chaude Rinçage eau froide Rinçage eau froide Rinçage eau chaude	55°C (Lavage) 68°C (Rinçage)	8 g	69 minutes	60 minutes
ECO	Convient pour vaisselle légèrement sale	Lavage eau chaude Rinçage eau froide Rinçage eau chaude	55°C (Lavage) 68°C (Rinçage)	8 g	59 minutes	60 minutes
Quick (Rapide)	Lavage court pour vaisselle légèrement souillée	Lavage eau chaude Rinçage eau froide Rinçage eau chaude	50°C (Lavage) 62°C (Rinçage)	8 g	29 minutes	60 minutes
Strong (Puissant)	Convient pour laver les biberons, la vaisselle grasse et crasseuse ou celle des animaux domestiques	Lavage eau chaude Rinçage eau chaude Rinçage eau froide Rinçage eau chaude	55°C (Lavage) 55°C (Rinçage) 75°C (Rinçage)	12 g	89 minutes	60 minutes
Glass (Verre)	Convient à la verrerie et aux objets fragiles	Lavage eau chaude Rinçage eau froide Rinçage eau chaude	55°C (Lavage) 68°C (Rinçage)	8 g	50 minutes	60 minutes
Fruit	Convient pour laver les fruits à surface dure à l'eau à température ambiante	Rinçage eau froide Rinçage eau froide	Température ambiante non réchauffée	Pas nécessaire	19 minutes	/
Self-Clean (Auto-Nettoyage)	Convient pour l'auto-nettoyage régulier pour maintenir les performances de lavage de la vaisselle	Lavage eau chaude Rinçage eau froide Rinçage eau froide Rinçage eau chaude	55°C (Lavage) 68°C (Rinçage)	8 g	79 minutes	60 minutes

REMARQUES:

- Lorsque l'eau est alimentée depuis le réservoir, les programmes Normal, Strong (Puissant) et Self-Clean (Auto-Nettoyage) effectuent un rinçage de moins, tout en conservant la même durée totale de lavage.
- Pour laver la vaisselle avec l'eau du réservoir d'eau, ajoutez de l'eau dont la température est inférieure à 40°C (104°F). Pour laver les fruits et légumes, ajoutez de l'eau à température ambiante. La durée de nettoyage par défaut est de 19 minutes pour le cycle Fruit. Vous pouvez interrompre le cycle de lavage à tout moment pendant le lavage pour éviter que les fruits ne soient trop lavés ou endommagés.
- Le mode Sec peut être utilisé avec n'importe quel cycle de lavage autre que Fruit.

Mode Sec (Dry)

Qu'est-ce que le Mode Sec?

Le mode Sec peut être utilisé pour garder votre vaisselle propre et sèche pendant de longues périodes. Le séchage à l'air chaud et la ventilation automatique peuvent également prévenir les bactéries et les odeurs, vous permettant de garder votre vaisselle hygiénique tout en la rangeant.

Comment ça marche?

Lorsque ce mode est activé, après 60 minutes de séchage à l'air chaud des vaisselles, une ventilation automatique de 15 minutes commencera toutes les 75 minutes pendant les 72 heures suivantes.

Fonctionnement



Le Mode Sec peut être utilisé avec n'importe quel cycle de lavage autre que « Fruit » et il peut également être activé séparément.

1. Utiliser avec un cycle de lavage : Après avoir choisi le cycle de lavage Normal, ECO, Quick, Strong, Glass, Self-Clean, appuyez sur le bouton Dry pour ajouter 72 heures de ventilation intermittente après le cycle. Pour annuler, appuyez simplement à nouveau sur le bouton Dry si le mode Dry n'a pas commencé.

2. Utiliser séparément : Appuyez et maintenez le bouton Dry pendant 3 secondes pour démarrer le mode Dry séparé. Cela ajoutera 60 minutes de séchage à l'air chaud, une ventilation automatique de 15 minutes démarrera toutes les 75 minutes pendant les 72 heures suivantes.

REMARQUE: Le Mode Sec ne peut pas être mis sur Pause ou annulé durant l'opération de séchage et de circulation intermittente. Si vous souhaitez annuler le Mode Sec, appuyez sur, et maintenez enfoncé, le bouton Marche (Power) pendant 3 secondes pour arrêter le lave-vaisselle.

Comment l'écran de l'état de fonctionnement affiche la fonction du Mode Sec

Mode Sec à l'air libre après tout cycle de lavage (sauf Fruits)	Le bouton d'alimentation et le bouton Démarrer / Pause (Start/Pause) resteront allumés avec le temps restant et l'icône  sur l'affichage d'état de fonctionnement.
Séchage à l'air libre en Mode Sec séparé	Le bouton Séchage et le bouton Marche/Arrêt resteront allumés, avec  pendant le séchage à l'air chaud de 60 minutes et "St" pendant la ventilation de 72 heures sur le panneau de commande.

Démarrer un cycle de lavage

1. Charger le lave-vaisselle. Voir « Chargement du panier du lave-vaisselle » pour les instructions.
2. Ajouter du détergent. Voir « Utilisation du détergent » pour les instructions.
3. Connecter le tuyau d'alimentation d'eau au robinet. Le robinet doit être ouvert à pleine pression. Vous pouvez également ajouter manuellement de l'eau dans le réservoir d'eau. Voir "Ajout d'eau au lave-vaisselle" pour les instructions.
4. Brancher la fiche dans une prise de courant. Le bouton d'alimentation doit s'allumer et clignoter.
5. Appuyer sur l'interrupteur et le maintenir enfoncé pendant 3 secondes pour allumer l'appareil. Le bouton Marche/Arrêt et le bouton Démarrage / Pause s'allument.
6. Appuyez sur la touche correspondante pour sélectionner le cycle de lavage désiré: Normal, ECO, Quick (Rapide), Strong (Puissant), Glass (Verre), Fruit et Self-Clean (Auto-Nettoyage). Pour plus de détails, reportez-vous au tableau des cycles de lavage.
7. Lorsqu'un cycle de lavage est sélectionné, le bouton correspondant s'allume.
8. Appuyez sur le bouton Départ/Pause pour lancer le cycle de lavage.
9. Si nécessaire, appuyez sur le bouton Séchage avant ou après le démarrage d'un cycle de lavage, ou lorsque le cycle de lavage est terminé pour ajouter 60 minutes supplémentaires de séchage à l'air et 72 heures de ventilation intermittente pour le stockage.
10. Pour mettre le lave-vaisselle en pause, appuyez sur le bouton Démarrage / Pause. Le bouton clignotera jusqu'à ce qu'il soit enfoncé à nouveau pour reprendre le cycle de lavage.

REMARQUE: Le mode Séchage ne peut pas être mis en pause ou annulé pendant le fonctionnement du séchage à l'air et de la circulation intermittente. Si vous souhaitez annuler le séchage, appuyez sur le bouton d'alimentation et maintenez-le enfoncé pendant 3 secondes pour éteindre le lave-vaisselle.

La fonction « départ différé »

1. Après avoir sélectionné un cycle de lavage, appuyez sur la touche Delay pour activer le chrono.
2. Appuyez à nouveau sur la touche Delay pour sélectionner un démarrage différé de 1 heure à 18 heures.
3. Appuyez et maintenez enfoncée la touche Delay pour annuler la minuterie.
4. Après avoir sélectionné le délai souhaité, appuyez sur la touche Start/Pause pour lancer le chrono. Le cycle de lavage démarre après le délai.

Verrouillage enfant

1. Pendant un cycle de lavage ou en mode veille, appuyez sur la touche Child Lock (verrouillage enfant) et maintenez-la enfoncée pendant 3 secondes pour activer le verrouillage enfant. Le bouton Child Lock s'allume.
2. Tant que le Child Lock est activé, l'appareil ne réagit à aucune opération sur les boutons afin d'éviter toute erreur de manipulation.
3. Appuyez à nouveau sur le bouton Child Lock et maintenez-le enfoncé pendant 3 secondes pour désactiver le verrouillage enfant.

Modification du cycle de lavage

Le cycle de lavage ne peut pas être modifié pendant le lavage. Si vous souhaitez modifier le cycle de lavage, veuillez suivre ces étapes pour sélectionner à nouveau un cycle de lavage:

1. Appuyer sur le bouton Démarrage / Pause pour interrompre le cycle de lavage.
2. Appuyer sur / et maintenir enfoncé le bouton d'alimentation 3 secondes pour éteindre la machine.
3. Appuyer sur / et maintenir enfoncé le bouton d'alimentation 3 secondes 3 secondes pour allumer la machine et démarrer un nouveau cycle de lavage. Voir « Démarrage d'un cycle de lavage ».

REMARQUE: Avant la sélection d'un cycle de lavage, il se peut que le détergent ait déjà été dispersé et que l'appareil ait déjà vidé l'eau de lavage. Il est alors nécessaire de remplir le réservoir d'eau si l'alimentation en eau provient du réservoir, et le distributeur de détergent doit être rempli. Voir « Utilisation du détergent ».

Vous avez oublié d'ajouter un plat?

Vous ne pouvez ajouter un plat que si le lave-vaisselle a fonctionné pendant une courte période avant que le détergent ne soit dispersé et que l'eau ne soit vidangée.

REMARQUE: Il est dangereux d'ouvrir la porte lorsque le cycle de lavage a commencé car l'eau chaude peut vous ébouillanter. Si vous avez besoin d'ouvrir complètement la porte, appuyez sur le bouton Démarrage / Pause, puis ouvrez lentement la porte.

1. Appuyez sur le bouton Démarrage / Pause pour arrêter le cycle de lavage.
2. Une fois que les bras gicleurs ont cessé de tourner, vous pouvez ouvrir la porte. La lampe LED s'allumera alors.
3. Ajoutez des plats oubliés.
4. Fermez la porte.
5. Appuyez sur le bouton Démarrage / Pause. Le lave-vaisselle reprendra alors son fonctionnement.

À la fin d'un cycle de lavage

Lorsque le cycle de lavage est terminé, la machine vidangera l'eau pendant 1 minute et 6 bips se feront entendre. Une fois le cycle de lavage complet terminé, la machine passe automatiquement en mode veille. Remarque: Si le Mode Sec est ajouté, la machine entamera le Mode Sec une fois le cycle de lavage terminé. Quand celui-ci est achevé, la machine passe automatiquement en mode veille.

1. Coupez l'alimentation en eau, si elle est connectée au robinet. Si le réservoir d'eau n'est pas utilisé pendant une longue période, il est recommandé de le vider en appuyant simultanément sur les boutons Sec et Interrupteur (Marche-Arrêt) pendant 3 secondes.
2. Débranchez l'appareil de la source d'alimentation.

REMARQUE: Lorsque le cycle de lavage est terminé, il peut y avoir quelques gouttelettes à l'intérieur du lave-vaisselle ou sur la vaisselle. C'est normal.

NETTOYAGE & ENTRETIEN

Système de filtre

REMARQUES:

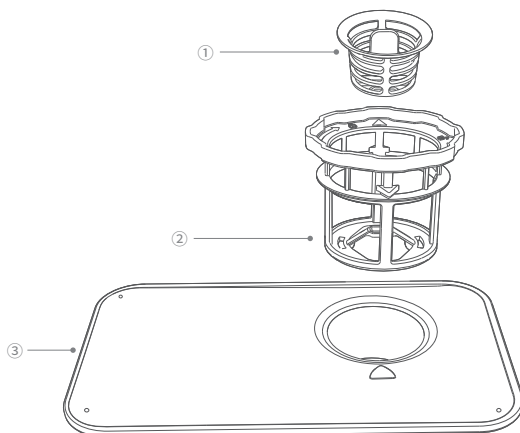
- Ne faites jamais fonctionner le lave-vaisselle sans avoir mis les filtres en place. Un mauvais positionnement des filtres peut réduire les performances du lave-vaisselle et endommager la vaisselle et les ustensiles.
- Assurez-vous que les filtres sont correctement assemblés.
- L'ensemble du système de filtration doit être nettoyé une fois par semaine. Retirez les restes de nourriture et nettoyez les filtres sous l'eau courante.
- Lors du nettoyage des filtres, ne les heurtez pas contre les surfaces. Cela peut déformer les filtres et affecter les performances de votre lave-vaisselle.

Les filtres empêchent les gros restes de nourriture ou d'autres objets de pénétrer à l'intérieur du corps de la pompe. Pour des performances et des résultats optimaux, veillez à nettoyer régulièrement le système de filtres. Le système de filtrage se compose d'un filtre à grosses mailles, d'un filtre plat (filtre principal) et d'un microfiltre (filtre à fines mailles).

① Filtre à grosses mailles: ce filtre retient les gros objets, tels que des morceaux d'os ou des débris de verre, qui pourraient obstruer l'écoulement.

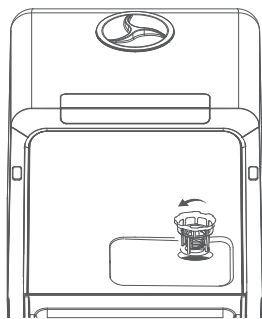
② Filtre à fines mailles: ce filtre retient la saleté et les résidus alimentaires dans sa base cylindrique et empêche la saleté de se redéposer sur la vaisselle pendant le cycle de lavage.

③ Filtre principal: Les particules de nourriture et de terre piégées par ce filtre sont décomposées par une tuyère spéciale du bras gicleur et sont évacuées dans le tuyau d'écoulement.

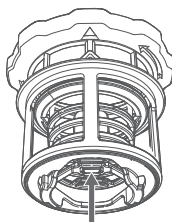


Pour retirer le système de filtre

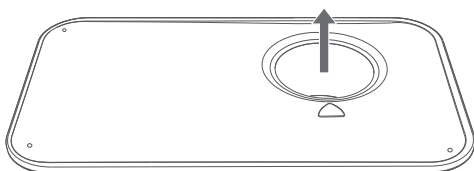
1. Tournez le filtre à fines mailles dans le sens inverse des aiguilles d'une montre pour le retirer de la machine.



2. Appuyer sur les onglets au centre du filtre à mailles fines, pour séparer le filtre à grosses mailles du filtre à fines mailles.

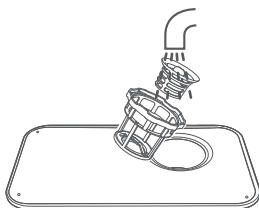


3. Enlever le grand filtre en le soulevant par le haut.

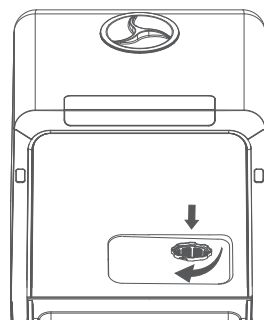


Pour nettoyer le système de filtres

1. Rincez le système de filtration sous l'eau courante. Utilisez une brosse de nettoyage douce pour nettoyer le filtre à grosses mailles et le filtre fin.



2. Pour réinstaller le système de filtres, placez le filtre principal sur son siège et poussez vers le bas, alignez les languettes au bas du filtre à grosses mailles avec le trou correspondant du filtre fin, puis insérez le filtre à grosses mailles dans le filtre fin. Ensuite, placez le filtre fin sur son siège et tournez dans le sens des aiguilles d'une montre pour verrouiller.

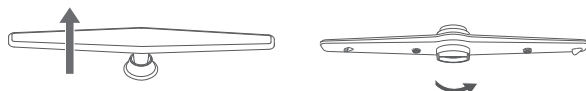


Bras gicleurs

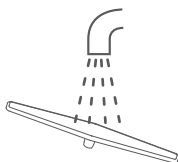
Les bras gicleurs supérieur et inférieur peuvent être facilement retirés pour un nettoyage périodique des tuyères, évitant ainsi un éventuel bouchage. Lavez-les sous l'eau courante et remplacez-les soigneusement dans leurs logements respectifs en vérifiant que le mouvement de rotation n'est en rien entravé.

Pour retirer et nettoyer les bras gicleurs

1. Ouvrez la porte et sortez le panier.
2. Retirez le bras gicleur inférieur en saisissant sa partie centrale et en tirant vers le haut. Dévissez le bras d'aspersion supérieur en le tournant dans le sens anti-horlogique.



3. Lavez les bras d'aspersion sous l'eau courante et brossez chaque bras. Utilisez des outils pointus, comme une aiguille, pour nettoyer les tuyères si nécessaire.



4. Remplacez le bras gicleur inférieur sur son siège en poussant vers le bas jusqu'à ce qu'il s'encliquette. Remplacez le bras d'aspersion supérieur en le vissant dans le sens horlogique dans son siège. Assurez-vous que le mouvement du bras gicleur n'est pas entravé avant d'exécuter un autre cycle.



Entretien et maintenance du lave-vaisselle

Maintenance quotidienne

- Le tableau de bord et l'extérieur doivent être nettoyés à l'aide d'un chiffon légèrement humide. Après le nettoyage, assurez-vous de bien sécher. N'utilisez jamais d'objets pointus, ni de tampons à récurer ou de nettoyeurs agressifs sur aucune partie du lave-vaisselle. Pour enlever les taches ou les tâches de la surface de l'intérieur, utilisez un chiffon imbibé d'eau et d'un peu de vinaigre.
- Il peut y avoir des taches d'huile sur le bord de la paroi intérieure ou de la porte du lave-vaisselle après le lavage de vaisselles très sales. Pour nettoyer le bord autour de la porte n'utilisez qu'un chiffon doux, chaud et humide. Évitez de mouiller l'intérieur de la serrure de la porte et des composants électriques.
- Nettoyez régulièrement les joints de la porte avec une éponge humide pour éviter les odeurs de particules alimentaires piégées dans le joint de la porte.

ATTENTION: N'utilisez jamais de nettoyant en aérosol pour nettoyer le panneau de porte, car cela pourrait endommager la serrure de porte et les composants électroniques. Les agents abrasifs ou les serviettes en papier ne doivent pas être utilisés en raison du risque de rayures ou de taches sur la surface en acier inoxydable.

Protection du lave-vaisselle contre le gel

Veillez prendre des mesures de protection de votre appareil contre le gel pendant l'hiver. Après chaque cycle de lavage, suivez les étapes suivantes:

1. Éteignez le lave-vaisselle. Coupez toute alimentation électrique du lave-vaisselle.
2. Coupez l'alimentation en eau et débranchez le tuyau d'arrivée d'eau à l'arrière de l'appareil.
3. Vidangez l'eau du tuyau d'arrivée et de l'orifice d'arrivée (utilisez une casserole ou un seau pour récupérer l'eau).
4. Reconnectez le tuyau d'arrivée d'eau à l'orifice d'arrivée.
5. Retirez le système de filtre et utilisez une éponge pour absorber l'eau qui se trouve dans la zone du filtre (puisard).

Si votre lave-vaisselle ne fonctionne plus à cause du gel ou de la glace, veuillez contacter notre service après-vente.

Conseils généraux

Afin de maintenir votre lave-vaisselle en bon état de fonctionnement, respectez les conseils suivants:

- Avant de nettoyer ou d'effectuer un entretien, retirez toujours la fiche de la prise électrique.
- **Après chaque lavage** - Coupez l'alimentation en eau de l'appareil et laissez la porte légèrement entrouverte afin que l'humidité et les odeurs ne soient pas emprisonnées à l'intérieur.
- **Si le lave-vaisselle ne sera pas utilisé pendant une période prolongée** - Il est recommandé d'exécuter un cycle de lavage avec le lave-vaisselle vide, puis d'éteindre le lave-vaisselle, de débrancher le cordon d'alimentation, de couper l'alimentation en eau, de forcer la vidange de l'eau du réservoir et de laisser la porte de l'appareil entrouverte. Cela contribuera à prolonger la durée de vie des joints de porte et à prévenir les odeurs.


- **Déplacement de l'appareil** - Si l'appareil doit être déplacé, essayez de le maintenir en position verticale. Ne transportez pas l'appareil sur son côté ou à l'envers, le dessus en dessous.

- **Connexion d'eau** - Connectez le raccord côté femelle au robinet et assurez-vous qu'il est bien en place.

Remarque: si le tuyau d'arrivée d'eau livré avec le lave-vaisselle ne s'adapte pas à votre robinet, vous devrez peut-être acheter un adaptateur de robinet auprès d'un fournisseur de matériel sanitaire. Si vous ne savez pas quoi faire, n'hésitez pas à contacter notre service après-vente.

- **Évacuation de l'eau** - Le tuyau d'évacuation doit être correctement fixé pour éviter les fuites d'eau. Assurez-vous que le tuyau de vidange d'eau n'est pas croqué ou obstrué de quelque manière que ce soit. Si l'évier est plus haut que la surface où vous avez placé votre lave-vaisselle, il sera nécessaire de vidanger l'excès d'eau dans un seau qui se trouve en position plus basse que votre lave-vaisselle. Si vous avez besoin d'une rallonge de tuyau de vidange, assurez-vous d'utiliser un tuyau de vidange similaire et que sa longueur ne dépasse pas 3,60 m (12 pieds) de long. Sinon, l'effet nettoyant du lave-vaisselle pourrait s'en trouver réduit.

CODES D'ERREUR

Codes	Signaux sonores buzzer	Type d'erreur	Solutions
 (Manque d'eau, l'icône clignote constamment en rouge)	10 bips (1 par seconde)	Problème dans l'arrivée d'eau	<ol style="list-style-type: none"> 1. Assurez-vous que la machine est connectée au robinet et allumée, robinet ouvert et réservoir d'eau plein. 2. Rallumez le lave-vaisselle. Si l'icône continue à clignoter en rouge, contactez le SAV de NANOVA.
"E2"	5 bips toutes les 2 secondes	Erreur d'évacuation d'eau	<p>Erreur d'évacuation d'eau</p> <ol style="list-style-type: none"> 1. Vérifiez le tuyau d'évacuation et assurez-vous qu'il n'est pas croqué ou obstrué. 2. Éteignez l'appareil et vérifiez si quelque chose ne bloque pas le système de filtration ou le tuyau d'évacuation. 3. Contrôlez qu'aucun des tuyaux n'est bouché.
"E3"		Débordement	<ol style="list-style-type: none"> 1. Videz le réservoir d'eau manuellement : interrompez le cycle de lavage et appuyez sur /et maintenez enfoncés à la fois le bouton « Sec » (Dry) et le bouton « Marche » (Power) durant 3 secondes. Redémarrez le lave-vaisselle. 2. Inclinez le lave-vaisselle sur 30-45 degrés en arrière et maintenez-le dans cette position durant au moins 2 minutes, pour permettre à l'eau de s'écouler hors de la machine. Redémarrez la machine.
"E4"	5 bips toutes les 2 secondes	Erreur de thermistor	Redémarrez l'appareil. Si le code d'erreur persiste, contactez le SAV de NANOVA.
"E5"		Erreur de communication interne	
"E6"		Défaillance du système de chauffage	
"E7"		Défaillance du switch de pression	

*Veuillez noter que "St" n'est pas un code d'erreur. Il indique la ventilation intermittente optionnelle de 72 heures.

EN CAS DE PANNE

Problèmes	Causes possibles	Solutions	
PROBLÈMES TECHNIQUES	Le lave-vaisselle ne démarre pas.	Fusible fondu ou problème avec le coupe-circuit.	Remplacer le fusible ou réarmer le coupe-circuit. Déconnecter tout autre appareil partageant le même circuit que le lave-vaisselle.
		Il n'y a pas d'alimentation électrique.	Assurez-vous que le câble d'alimentation est correctement branché dans la prise murale. Vérifiez que le lave-vaisselle est allumé et que sa porte est bien fermée.
		Manque d'eau.	Ouvrez le robinet, ou ajoutez de l'eau dans le réservoir jusqu'à ce que le voyant de manque d'eau s'éteigne.
		La porte du lave-vaisselle n'est pas bien fermée.	Assurez-vous que la porte est complètement fermée.

Problèmes		Causes possibles	Solutions
PROBLÈMES TECHNIQUES	Pas assez de circulation d'eau.	De l'air est enfermé dans le système de tuyaux de la machine.	Secouez légèrement la machine 5-6 fois pour faire sortir l'air enfermé.
	L'eau n'est pas pompée hors du lave-vaisselle.	Il y a des plis dans le tuyau de vidange.	Vérifiez le tuyau de vidange.
		Le système de filtre est obstrué.	Vérifiez le filtre à grosses mailles.
		L'évier de la cuisine est bouché.	Vérifiez votre évier de cuisine pour vous assurer qu'il se vide. Si l'évier de la cuisine ne se vide pas, contactez un plombier.
Impossible de choisir un cycle de lavage.	Le lave-vaisselle est en fonctionnement.	Re-choisissez un cycle en arrêtant le cycle en cours ou attendez que le cycle en cours s'achève.	
PROBLÈMES GÉNÉRAUX	Il y a de la mousse dans la cuve.	Détergent inadapté.	<ul style="list-style-type: none"> • N'utilisez que des détergents spéciaux pour lave-vaisselle. • Ouvrez le lave-vaisselle et retirez la mousse manuellement. • Versez 5 litres (1,3 gallon US) d'eau dans la machine ou ouvrez le robinet connecté, sélectionnez n'importe quel programme et faites-le tourner pendant 1 à 2 minutes. La mousse sera alors drainée. Répétez le processus si nécessaire. Remarque : Si le réservoir d'eau n'est pas plein et qu'un robinet n'est pas connecté, la machine ne peut pas être mise en marche.
	Il y a des taches dans la cuve.	Un détergent avec du colorant a été utilisé.	N'utilisez pas de détergents colorés.
	De la vaisselle plastique s'est décolorée.	La température de lavage est trop élevée.	Choisissez un cycle de lavage avec des températures plus basses.
	Il y a un film blanchâtre sur l'intérieur des surfaces.	L'eau est très dure.	Ce problème est difficile à éviter dans les régions où l'eau est dure. Pour nettoyer l'intérieur, utilisez une éponge humide avec du détergent pour lave-vaisselle, en portant des gants en caoutchouc. N'utilisez jamais de nettoyant autre que du détergent pour lave-vaisselle, car il y a un risque de formation de mousse ou de savonnée.
Il y a des taches de rouille sur les couverts.	Les ustensiles touchés ne sont pas résistants à la corrosion.	Évitez de laver des ustensiles qui ne sont pas résistants à la corrosion dans le lave-vaisselle.	
BRUITS	Il y a des bruits de chocs durant la vaisselle.	Le bras d'aspersion frappe un objet qui se trouve dans le panier.	Mettez le programme sur Pause et réarrangez la vaisselle qui gêne la rotation des bras.
	Il y a un bruit de cliquetis dans la cuve pendant le déroulement de la vaisselle.	Des ustensiles ne tiennent pas bien dans les paniers.	Interrompez le cycle de lavage et sécurisez les ustensiles dans les paniers.
	Il y a des bruits de coups de bélier dans les tuyaux d'eau.	Cela peut être dû à l'installation locale ou au diamètre des tuyaux de celle-ci.	Cela n'influence en rien le bon fonctionnement du lave-vaisselle. Si vous avez des doutes, consultez un plombier qualifié.

Problèmes		Causes possibles	Solutions	
RÉSULTAT DÉCEVANT DU LAVAGE	La vaisselle n'est pas propre.	Les assiettes n'ont pas été disposées correctement.	Voir "Charger le panier du lave-vaisselle - Loading the Dishwasher Basket" pour le mode d'emploi.	
		Le cycle de lavage n'était pas assez puissant.	Choisissez un cycle de lavage plus intensif. Voir le tableau des cycles de lavage pour plus de détails.	
		Des ustensiles bloquent la rotation des bras d'aspersion.	Réorganisez la vaisselle de sorte que les bras puissent tourner librement.	
		Le système de filtration n'est pas propre ou pas bien mis en place.	Nettoyez ou ajustez le système de filtration correctement.	
		Pas assez de détergent s'est déversé dans la machine.	Utilisez plus de détergent ou changez de type de détergent.	
	Il y a des nuages sur les verres.	Effet combiné d'eau douce et d'insuffisance de détergent.	Utilisez moins de détergent si l'eau est douce chez vous, et choisissez le cycle Verre (Glass) pour laver les verres.	
	Des traces de crème aux œufs collent sur la vaisselle.	Solidification de protéines.	Lavez cette vaisselle tachée de crème aux œufs à la main.	
	Taches noires ou grises sur les assiettes.	Des ustensiles en aluminium ont rayé les assiettes.	Vérifiez que les assiettes sont placées correctement et qu'elles n'entrent pas en contact les unes avec les autres.	
SÉCHAGE DÉCEVANT	La vaisselle ne sèche pas.	Il reste du détergent dans le bac à produits.	Des assiettes bloquent l'ouverture du distributeur de détergent.	Vérifiez que les assiettes sont positionnées correctement.
		Elle a été mal chargée dans le panier.	Cycle de lavage inadapté.	Vérifiez que les assiettes sont positionnées correctement.
			Effet médiocre du séchage sur la vaisselle en plastique ou en bois.	Choisissez le cycle qui convient.
			Le cycle de séchage n'est pas encore terminé.	Séchez ce type de vaisselle à la main.
			Le recouvrement des couverts est de mauvaise qualité.	Attendez qu'il se termine.
	Des gouttes d'eau persistent dans le lave-vaisselle.	Temps de séchage trop court.	L'écoulement de l'eau est plus difficile sur de genre d'articles. Ces types de couverts et de vaisselle ne conviennent pas au lavage au lave-vaisselle.	
		Choisissez le mode Sec (Dry) pour prolonger le temps de séchage à l'air.		

GARANTIE

NANOVA offre une garantie limitée de 12 mois, ainsi qu'une assistance technique à vie sur notre lave-vaisselle. La garantie ne s'applique pas lorsque les dommages sont causés par d'autres facteurs, y compris, sans que ce soit limitatif: (a) l'usure normale; (b) l'abus, la mauvaise manipulation, l'accident ou le non-respect des instructions d'utilisation; (c) l'exposition à un liquide ou l'infiltration de particules étrangères; (d) l'entretien ou les modifications du produit autres qu'effectués par NANOVA; (e) l'usage commercial ou non domestique. Ce sont nos conditions générales de service de garantie, mais nous exhortons toujours nos clients à nous contacter pour tout problème, quelles que soient les conditions de garantie.

CONTACTEZ-NOUS

Site Internet: www.nanovastore.com

Email: service@nanovastore.com

